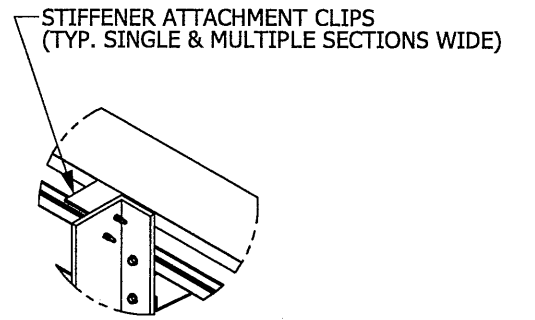
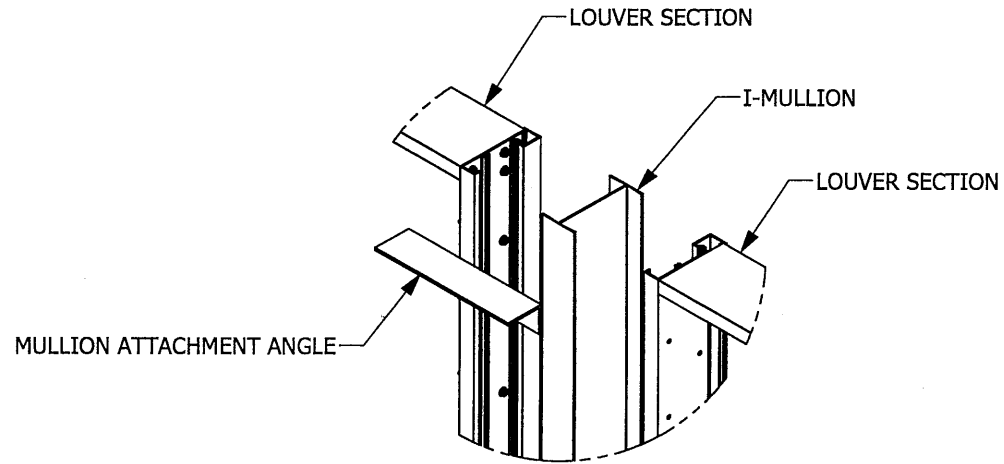
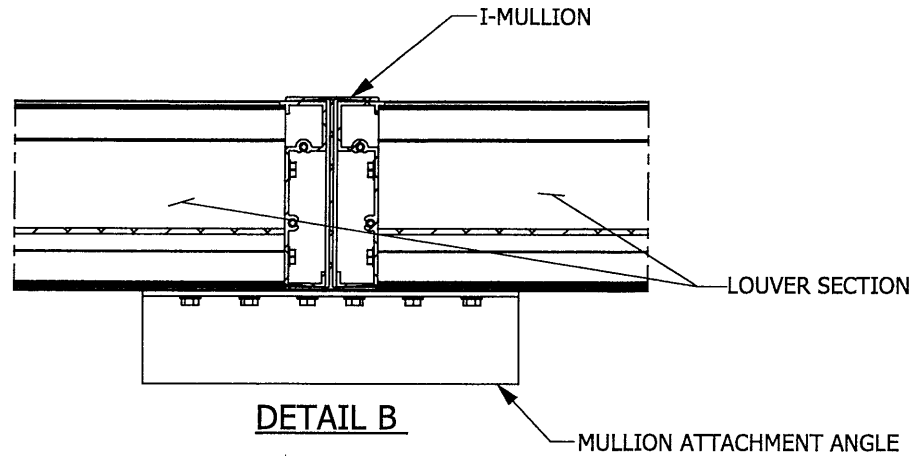


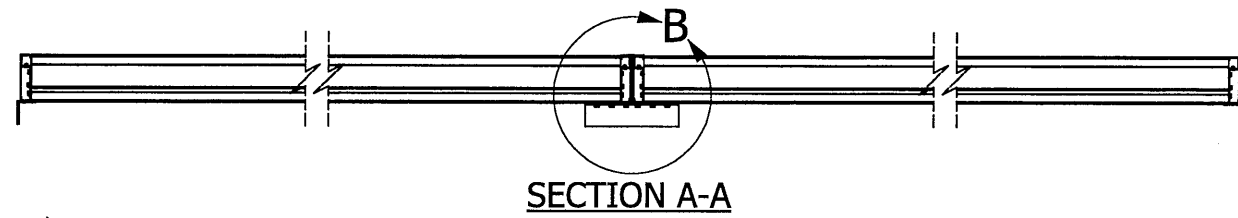
RICE
ENGINEERING

105 School Creek Trail
Luxemburg, WI 54217
Phone: 920.845.1042
Fax: 920.845.1048
www.rice-inc.com

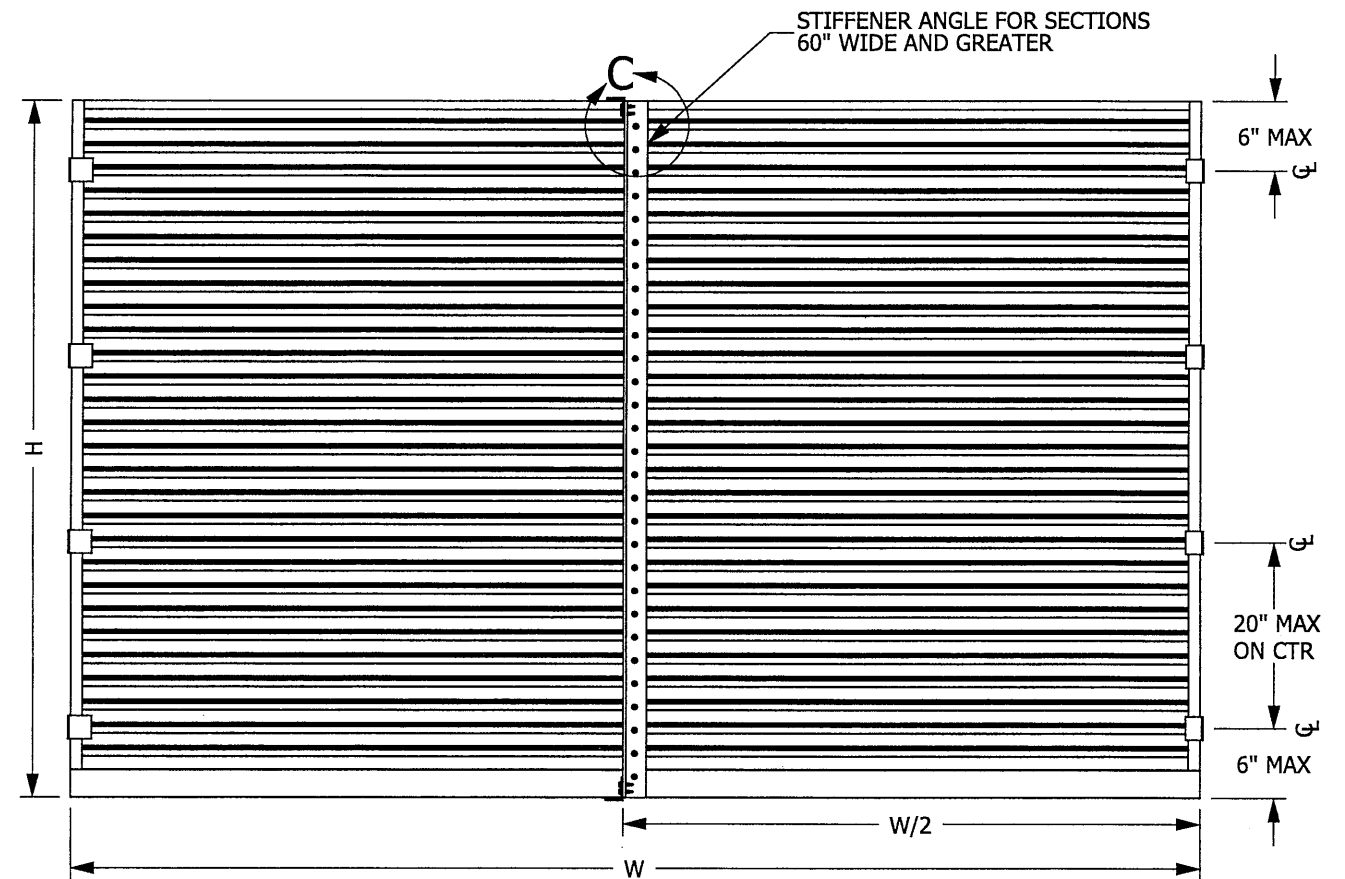
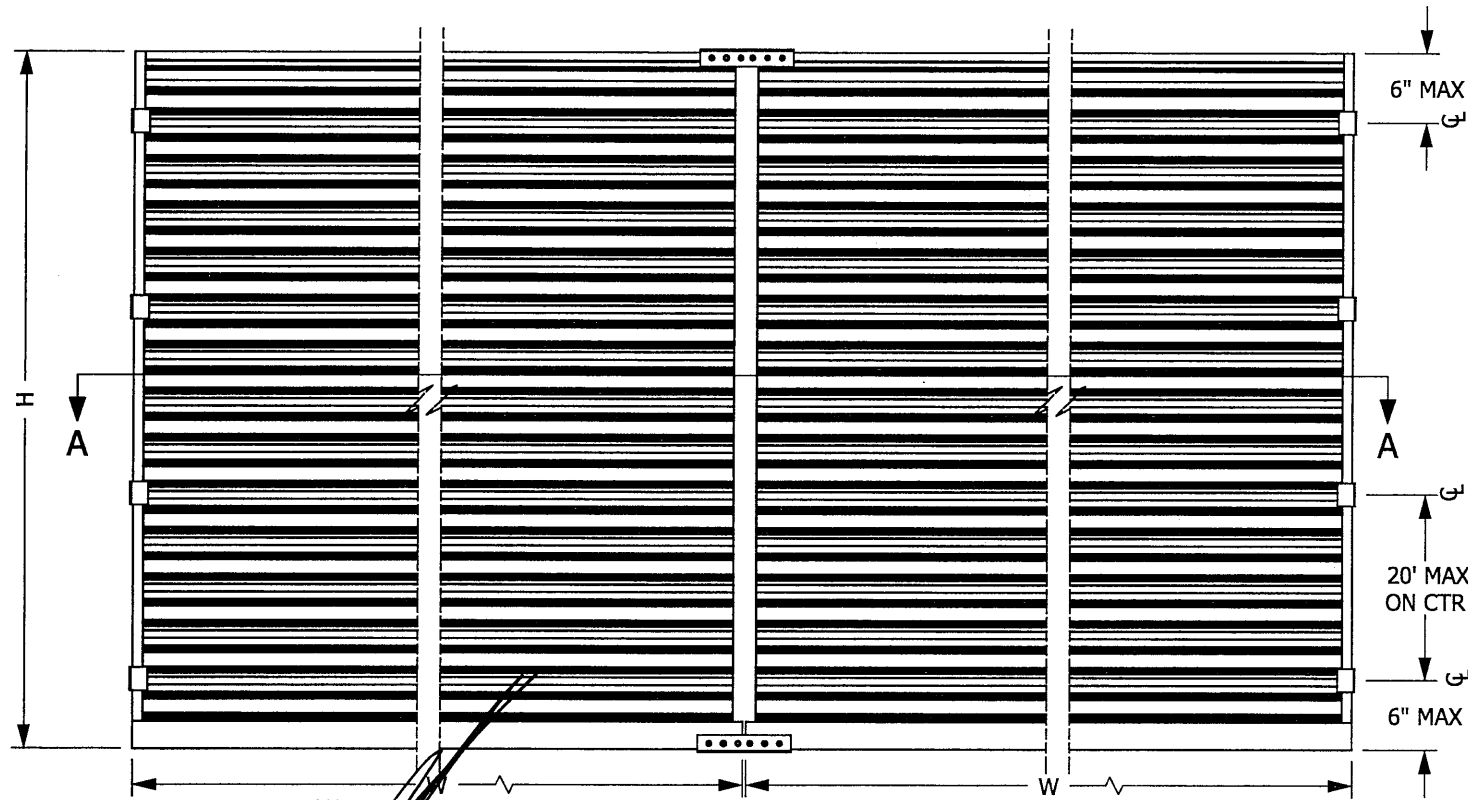
Florida Firm No: F-01000005061
Certificate of Authorization: #9090
L. David Rice
Registration No: 50923



DETAIL C
STIFFENER CLIP ANGLE

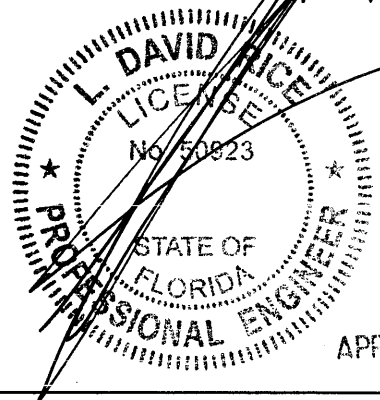


DETAIL B
(EXPLODED ISOMETRIC)



MULTIPLE SECTION WIDE
INTERIOR ELEVATION
CLIP PLACEMENT

SINGLE SECTION WIDE, INTERIOR ELEVATION
CLIP PLACEMENT

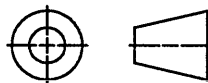


UNLESS OTHERWISE SPECIFIED
DIMENSION ARE IN INCHES.

5101 Blue Mound Road
Fort Worth, Texas 76106
Phone: 817-509-2300
Fax: 817-831-3110

TOLERANCE UNLESS NOTED:
X.X ±0.030
X.XX ±0.015
X.XXX ±0.010
ANGLE ±1°
FRACTION ±1/16

THIRD ANGLE PROJECTION



MAX HOLE BREAKOUT:
15% OF MATERIAL THICKNESS

ALL-LITE
ARCHITECTURAL PRODUCTS

THIS DRAWING AND THE DESIGN REPRESENTED ARE THE CONFIDENTIAL AND PROPRIETARY PROPERTY OF PCI INDUSTRIES AND MAY NOT BE DISCLOSED, LOANED, COPIED, OR USED FOR ANY PURPOSE OTHER THAN DESIGN REVIEW AND APPROVAL WITHOUT THE EXPRESS WRITTEN CONSENT OF PCI INDUSTRIES.

DRAWING DESCR: ATTACHMENT ELEVATION & DETAILS

PROJECT: FLORIDA BUILDING CODE LOUVERS

LOCATION:

CUSTOMER:

PROJ. MGR:

DATE: 11/24/2009

SHEET: 1 of 6

DRAWN BY: TB

ORDER NUMBER

SCALE: NTS

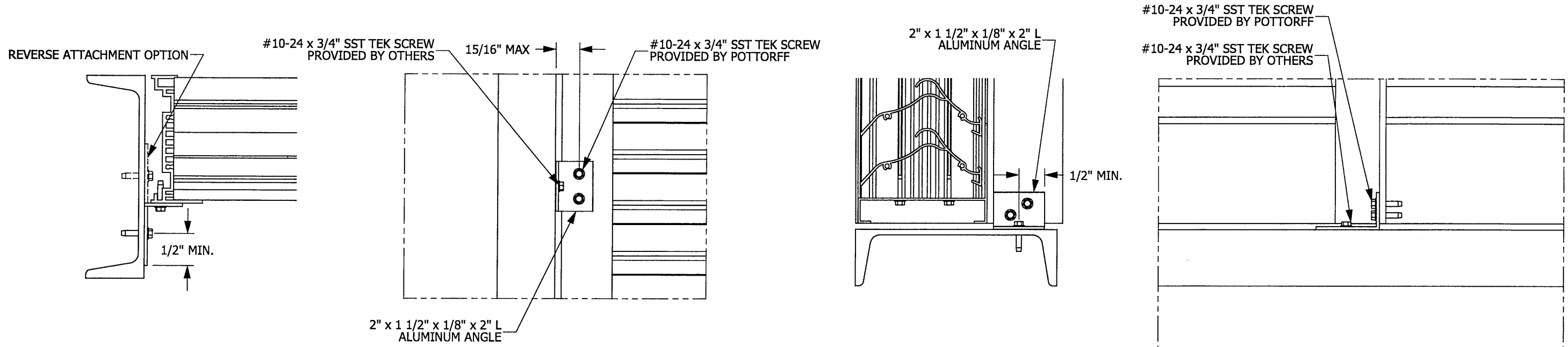
P.O. NUMBER

DRAWING NUMBER

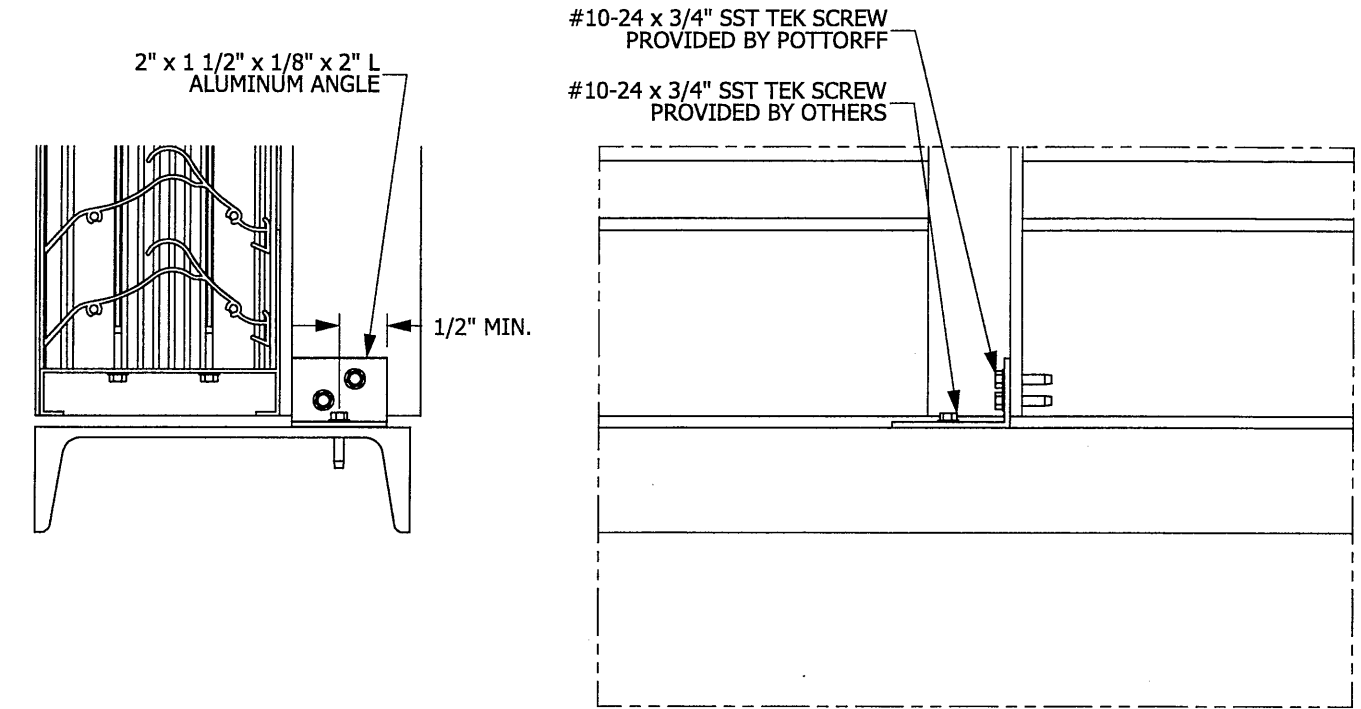
ATTACHMENT

ATTACHMENT

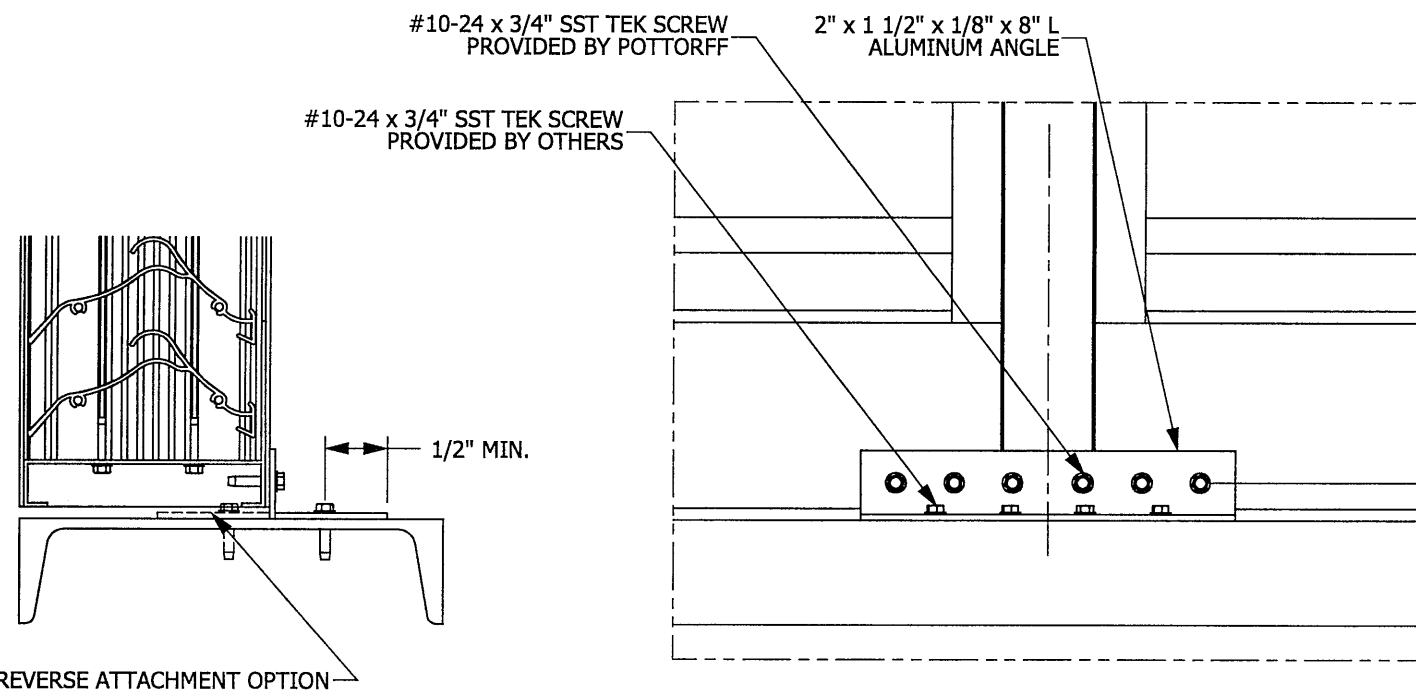
C:\Cads\trans\Tom\LOUVERS\Florida Building Code Louvers



**JAMB ATTACHMENT DETAILS
STEEL CONDITION**



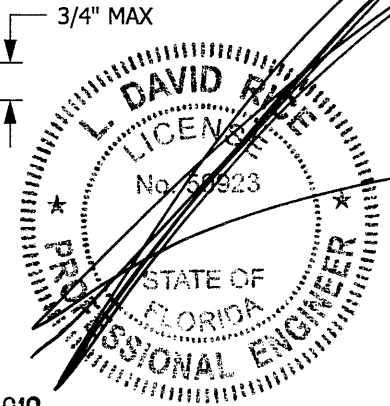
**STIFFENER ATTACHMENT DETAILS
STEEL CONDITION**



**MULLION ATTACHMENT DETAILS
STEEL CONDITION**

INSTALLATION NOTES:

- 1) DRAWING INCLUDES INSTALLATION DETAILS TO ATTAIN MAXIMUM DESIGN PRESSURES FOR LOUVER PER CHARTS ON DRAWING 6
- 2) IT IS ASSUMED THAT THE LOUVER SYSTEMS DO NOT SUPPORT ANY LOADS TRANSFERRED FROM THE BUILDING.
- 3) IT IS ASSUMED THAT THE BUILDING CONDITIONS ARE ADEQUATELY DESIGNED TO SUPPORT LOADS IMPARTED BY THE LOUVER SYSTEM.
- 4) INSTALLER TO PROVIDE GASKET MATERIAL BETWEEN DISSIMILAR MATERIALS IN ORDER TO PROTECT FROM CORROSION.
- 5) CRITICAL EQUIPMENT TO BE PROTECTED FROM MOISTURE INGRESS.
- 6) OTHER BUILDING CONDITIONS THAN THOSE DENOTED CAN BE UTILIZED IF ANALYZED AND APPROVED BY A PROFESSIONAL ENGINEER.
- 7) MULTI-SECTION WIDE AND HIGH LOUVER SYSTEMS ARE ALLOWABLE PROVIDED THE INDIVIDUAL SECTIONS ARE SUPPORTED PER THE DETAIL ON THIS DRAWING AND A SUITABLE STRUCTURE IS ANALYZED AND APPROVED BY A PROFESSIONAL ENGINEER.
- 8) ALL STEEL SUBSTRATE SHALL BE 18 GA STUD EQUIVALENT OR STRONGER.



APR 09 2010

RICE
ENGINEERING

105 School Creek Trail
Luxemburg, WI 54217
Phone: 920.845.1042
Fax: 920.845.1048
www.rice-inc.com

Florida Firm No: F-01000005061
Certificate of Authorization: #9090
L. David Rice
Registration No: 50923

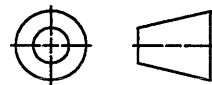
UNLESS OTHERWISE SPECIFIED
DIMENSION ARE IN INCHES.

TOLERANCE UNLESS NOTED:
X.X ±0.030
X.XX ±0.015
X.XXX ±0.010
ANGLE ±1°
FRACTION ±1/16

MAX HOLE BREAKOUT:
15% OF MATERIAL THICKNESS

5101 Blue Mound Road
Fort Worth, Texas 76106
Phone: 817-509-2300
Fax: 817-831-3110

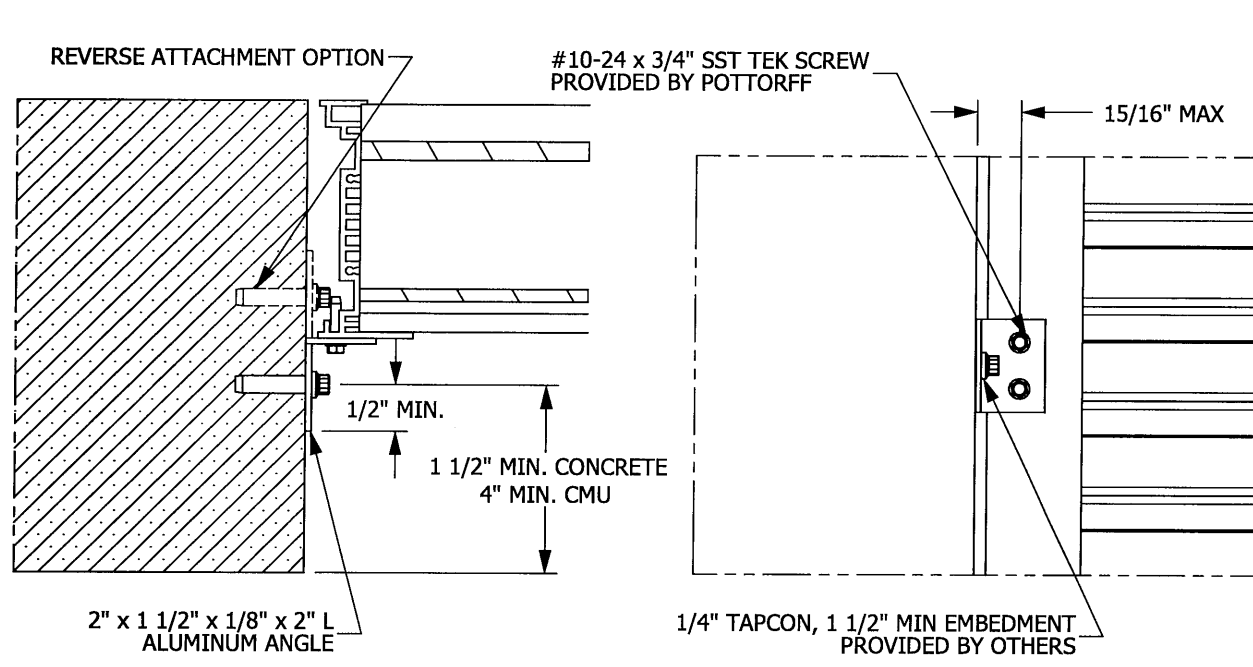
THIRD ANGLE PROJECTION



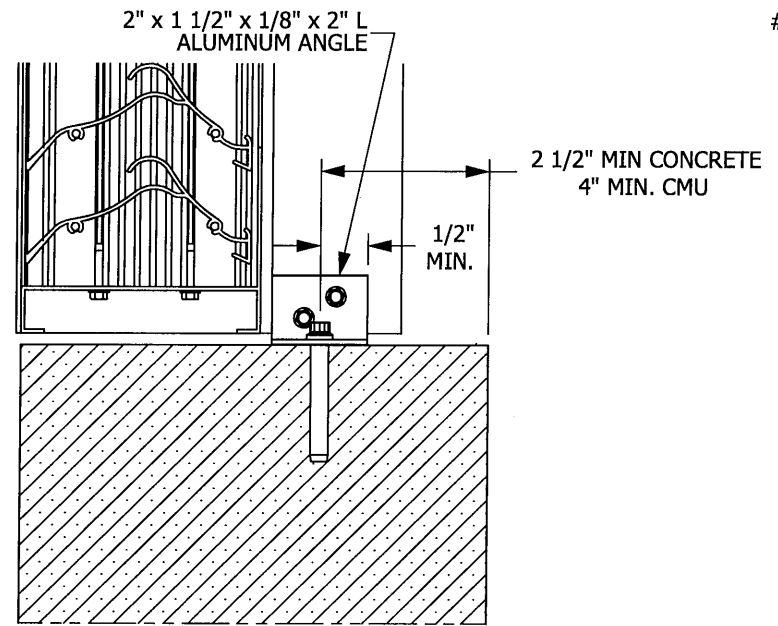
ALL-LITE
ARCHITECTURAL PRODUCTS

THIS DRAWING AND THE DESIGN REPRESENTED ARE THE CONFIDENTIAL AND PROPRIETARY PROPERTY OF PCI INDUSTRIES AND MAY NOT BE DISCLOSED, LOANED, COPIED, OR USED FOR ANY PURPOSE OTHER THAN DESIGN REVIEW AND APPROVAL WITHOUT THE EXPRESS WRITTEN CONSENT OF PCI INDUSTRIES.

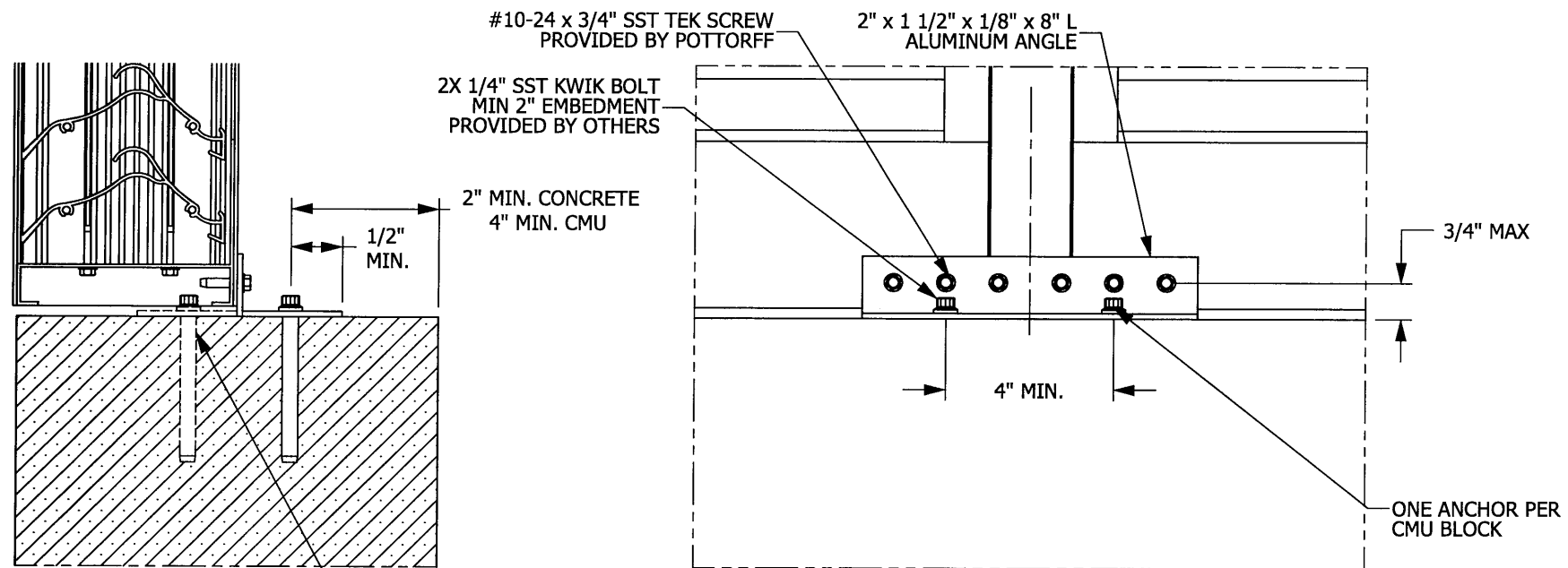
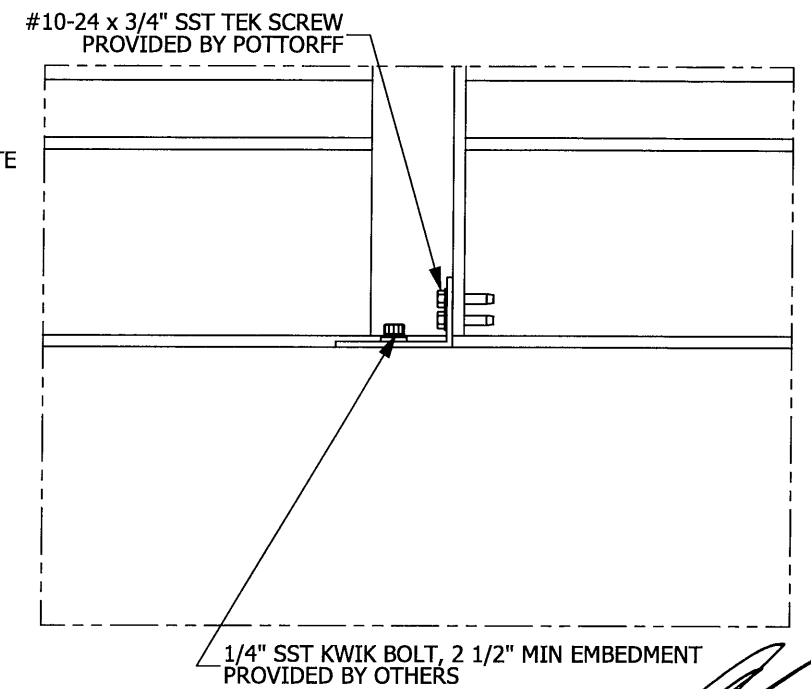
DRAWING DESCR: STEEL ATTACHMENT DETAILS				
PROJECT: FLORIDA BUILDING CODE LOUVERS				
LOCATION:				
CUSTOMER:				
PROJ. MGR:		DRAWN BY: TB		
DATE: 11/24/2009	CHK'D BY:	ORDER NUMBER	P.O. NUMBER	DRAWING NUMBER
SHEET: 2 of 6	SCALE: NTS			STEEL CONDITION



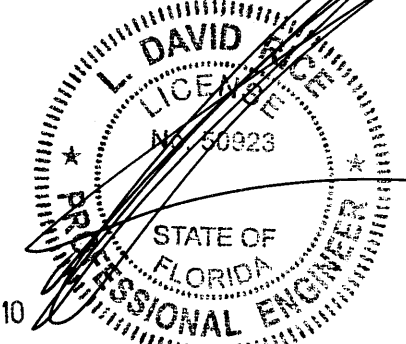
**JAMB ATTACHMENT DETAIL
MASONRY CONDITION (SHEAR CONNECTION)**



**STIFFENER ATTACHMENT DETAIL
MASONRY CONDITION (SHEAR CONNECTION)**



**MULLION ATTACHMENT DETAIL
MASONRY CONDITION (SHEAR CONNECTION)**



- INSTALLATION NOTES:
- 1) DRAWING INCLUDES INSTALLATION DETAILS TO ATTAIN MAXIMUM DESIGN PRESSURES FOR LOUVER PER CHARTS ON DRAWING 6
 - 2) IT IS ASSUMED THAT THE LOUVER SYSTEMS DO NOT SUPPORT ANY LOADS TRANSFERRED FROM THE BUILDING.
 - 3) IT IS ASSUMED THAT THE BUILDING CONDITIONS ARE ADEQUATELY DESIGNED TO SUPPORT LOADS IMPARTED BY THE LOUVER SYSTEM.
 - 4) INSTALLER TO PROVIDE GASKET MATERIAL BETWEEN DISSIMILAR MATERIALS IN ORDER TO PROTECT FROM CORROSION.
 - 5) CRITICAL EQUIPMENT TO BE PROTECTED FROM MOISTURE INGRESS.
 - 6) OTHER BUILDING CONDITIONS THAN THOSE DENOTED CAN BE UTILIZED IF ANALYZED AND APPROVED BY A PROFESSIONAL ENGINEER.
 - 7) MULTI-SECTION WIDE AND HIGH LOUVER SYSTEMS ARE ALLOWABLE PROVIDED THE INDIVIDUAL SECTIONS ARE SUPPORTED PER THE DETAIL ON THIS DRAWING AND A SUITABLE STRUCTURE IS ANALYZED AND APPROVED BY A PROFESSIONAL ENGINEER.
 - 8) ALL CONCRETE SUBSTRATE SHALL BE 2000 PSI OR STRONGER.
 - 9) ALL CMU SUBSTRATE SHALL BE ASTM C90 TYPE 2 FILLED WITH f_m=1500 PSI GROUT

RICE
ENGINEERING

105 School Creek Trail
Luxemburg, WI 54217
Phone: 920.845.1042
Fax: 920.845.1043
www.rice-inc.com

Florida Firm No. F-01009005061
Certificate of Authorization: #9090
L. David Rice
Registration No: 50923

UNLESS OTHERWISE SPECIFIED DIMENSION ARE IN INCHES.

TOLERANCE UNLESS NOTED:

X.X	±0.030
X.XX	±0.015
X.XXX	±0.010
ANGLE	±1°
FRACTION	±1/16

MAX HOLE BREAKOUT:
15% OF MATERIAL THICKNESS

5101 Blue Mound Road
Fort Worth, Texas 76106
Phone: 817-509-2300
Fax: 817-831-3110

THIRD ANGLE PROJECTION

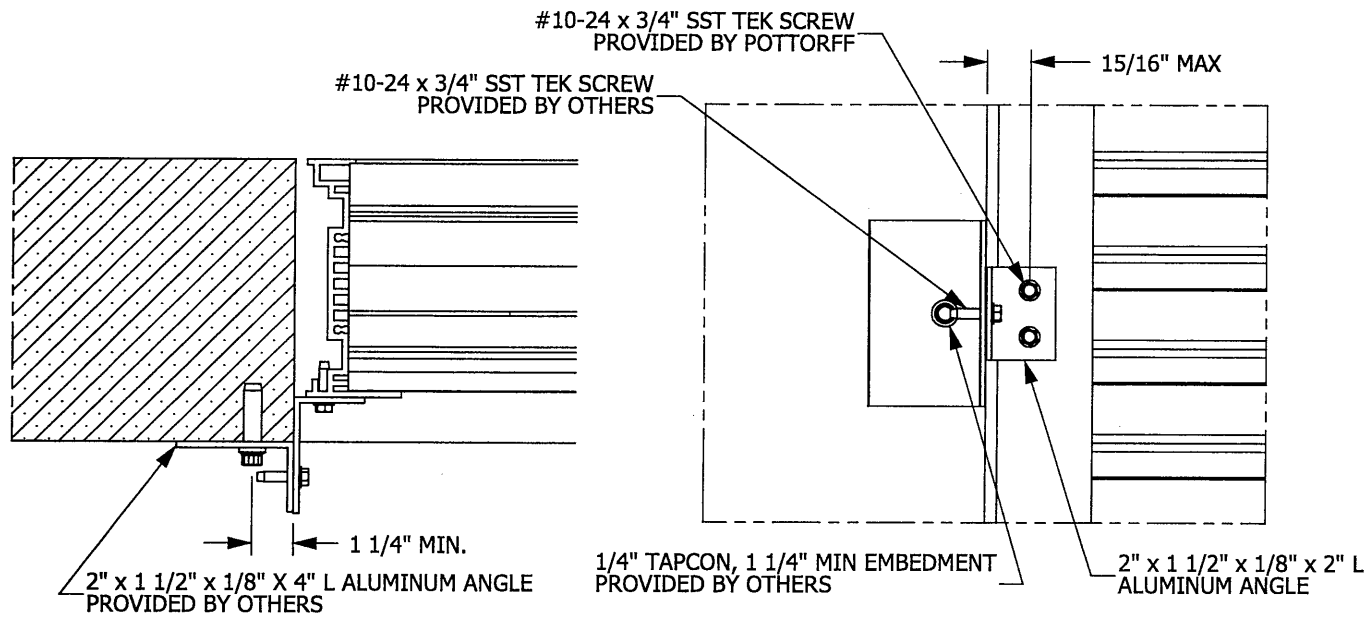
ALL-LITE
ARCHITECTURAL PRODUCTS

THIS DRAWING AND THE DESIGN REPRESENTED ARE THE CONFIDENTIAL AND PROPRIETARY PROPERTY OF PCI INDUSTRIES AND MAY NOT BE DISCLOSED, LOANED, COPIED, OR USED FOR ANY PURPOSE OTHER THAN DESIGN REVIEW AND APPROVAL WITHOUT THE EXPRESS WRITTEN CONSENT OF PCI INDUSTRIES.

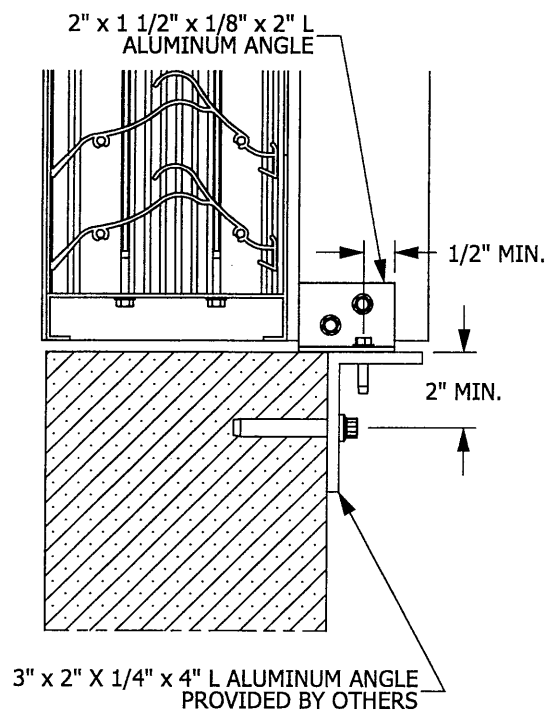
DRAWING DESCR: MASONRY ATTACHMENT DETAILS				
PROJECT: FLORIDA BUILDING CODE LOUVERS				
LOCATION:				
CUSTOMER:				
PROJ. MGR:		DRAWN BY: TB		
DATE: 11/24/2009	CHK'D BY:	ORDER NUMBER	P.O. NUMBER	DRAWING NUMBER
SHEET: 3 of 6	SCALE: NTS			MASONRY COND. (SHEAR)

\\Cadsrvr\trans\Tom\LOUVERS\Florida Building Code Louvers

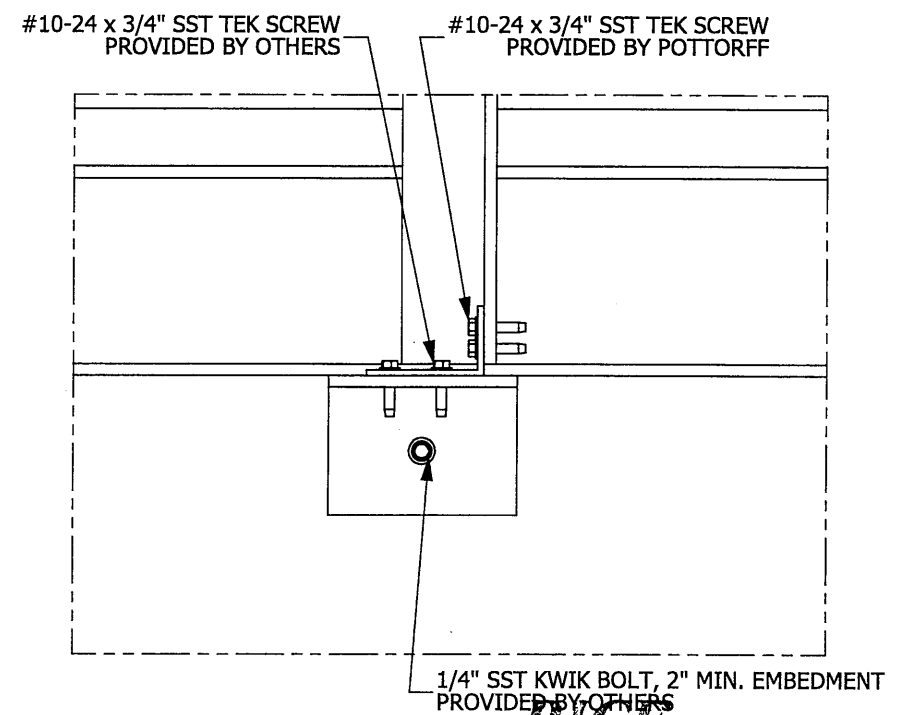
\\Cadsrvr\trans\Tom\LOUVERS\Florida Building Code Louvers\



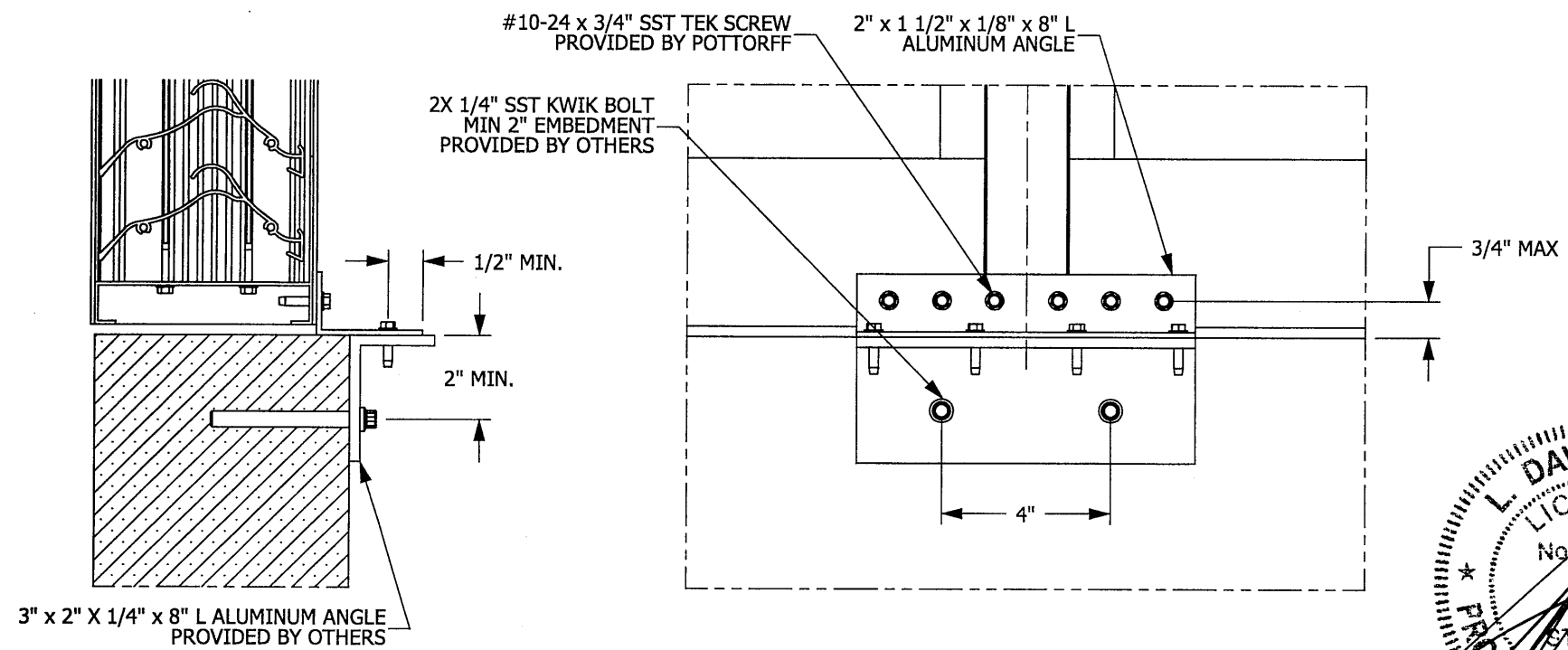
**JAMB ATTACHMENT DETAIL
MASONRY CONDITION (TENSION CONNECTION)**



**STIFFENER ATTACHMENT DETAIL
MASONRY CONDITION (TENSION CONNECTION)**



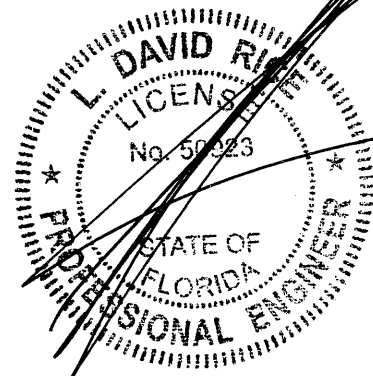
**MULLION ATTACHMENT DETAIL
MASONRY CONDITION (TENSION CONNECTION)**



RICE
ENGINEERING
105 School Creek Trail
Luxemburg, WI 54217
Phone: 920.845.1042
Fax: 920.845.1048
www.rice-inc.com

Florida Firm No: F-01000005061
Certificate of Authorization: #9090
L. David Rice
Registration No: 50923

- INSTALLATION NOTES:**
- 1) DRAWING INCLUDES INSTALLATION DETAILS TO ATTAIN MAXIMUM DESIGN PRESSURES FOR LOUVER PER CHARTS ON DRAWING 6
 - 2) IT IS ASSUMED THAT THE LOUVER SYSTEMS DO NOT SUPPORT ANY LOADS TRANSFERRED FROM THE BUILDING.
 - 3) IT IS ASSUMED THAT THE BUILDING CONDITIONS ARE ADEQUATELY DESIGNED TO SUPPORT LOADS IMPARTED BY THE LOUVER SYSTEM.
 - 4) INSTALLER TO PROVIDE GASKET MATERIAL BETWEEN DISSIMILAR MATERIALS IN ORDER TO PROTECT FROM CORROSION.
 - 5) CRITICAL EQUIPMENT TO BE PROTECTED FROM MOISTURE INGRESS.
 - 6) OTHER BUILDING CONDITIONS THAN THOSE DENOTED CAN BE UTILIZED IF ANALYZED AND APPROVED BY A PROFESSIONAL ENGINEER.
 - 7) MULTI-SECTION WIDE AND HIGH LOUVER SYSTEMS ARE ALLOWABLE PROVIDED THE INDIVIDUAL SECTIONS ARE SUPPORTED PER THE DETAIL ON THIS DRAWING AND A SUITABLE STRUCTURE IS ANALYZED AND APPROVED BY A PROFESSIONAL ENGINEER.
 - 8) ALL CONCRETE SUBSTRATE SHALL BE BE 2000 PSI OR STRONGER.



APR 09 2010

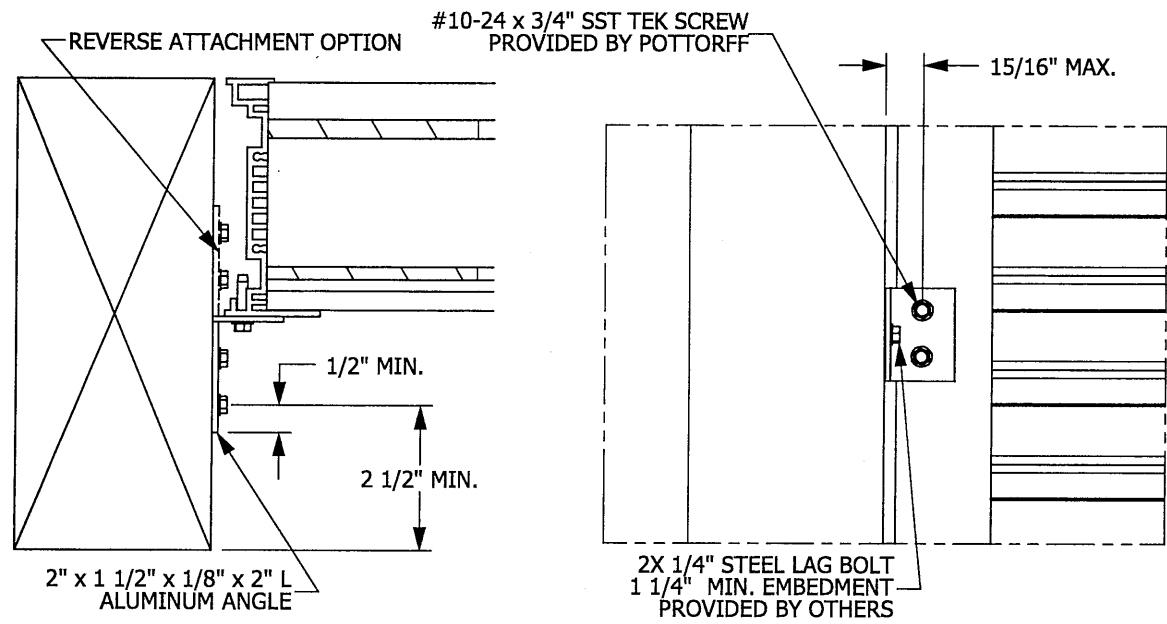
UNLESS OTHERWISE SPECIFIED DIMENSION ARE IN INCHES.	5101 Blue Mound Road Fort Worth, Texas 76106 Phone: 817-509-2300 Fax: 817-831-3110
TOLERANCE UNLESS NOTED: X.X ±0.030 X.XX ±0.015 X.XXX ±0.010 ANGLE ±1° FRACTION ±1/16	THIRD ANGLE PROJECTION
MAX HOLE BREAKOUT: 15% OF MATERIAL THICKNESS	

ALL-LITE
ARCHITECTURAL PRODUCTS

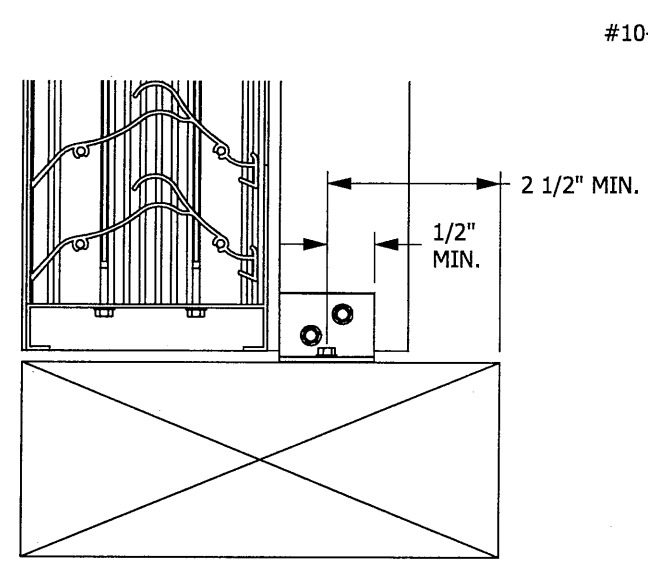
THIS DRAWING AND THE DESIGN REPRESENTED ARE THE CONFIDENTIAL AND PROPRIETARY PROPERTY OF PCI INDUSTRIES AND MAY NOT BE DISCLOSED, LOANED, COPIED, OR USED FOR ANY PURPOSE OTHER THAN DESIGN REVIEW AND APPROVAL WITHOUT THE EXPRESS WRITTEN CONSENT OF PCI INDUSTRIES.

DRAWING DESCR: MASONRY ATTACHMENT DETAILS	
PROJECT: FLORIDA BUILDING CODE LOUVERS	
LOCATION:	
CUSTOMER:	
PROJ. MGR:	DRAWN BY: TB
DATE: 11/24/2009	CHK'D BY:
SHEET: 4 of 6	SCALE: NTS
ORDER NUMBER	P.O. NUMBER
DRAWING NUMBER MASONRY COND. (TENSION)	

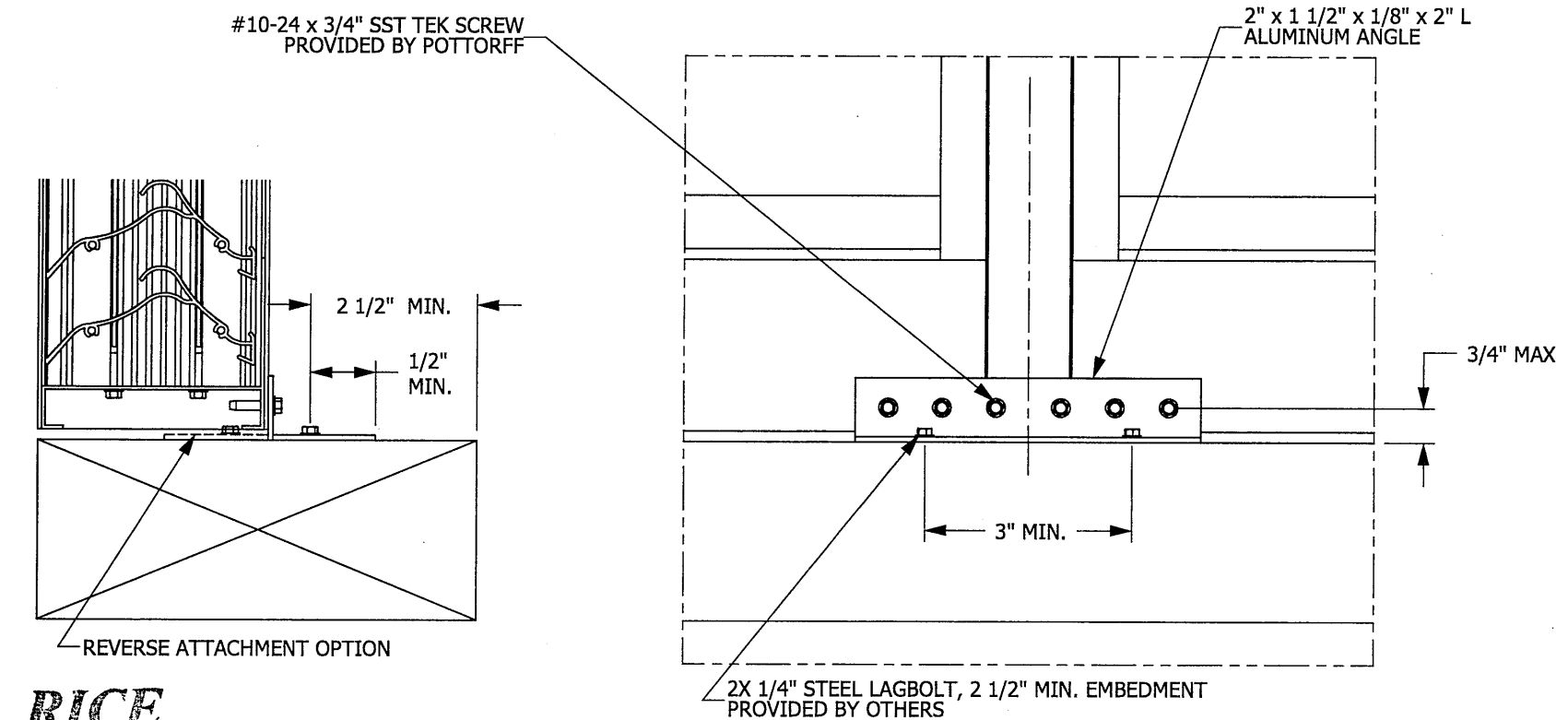
\\Cadsrv\trans\Tom\LOUVERS\Florida Building Code Louvers



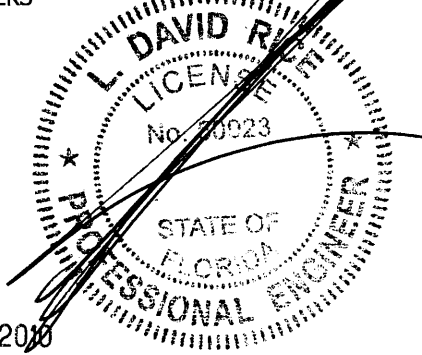
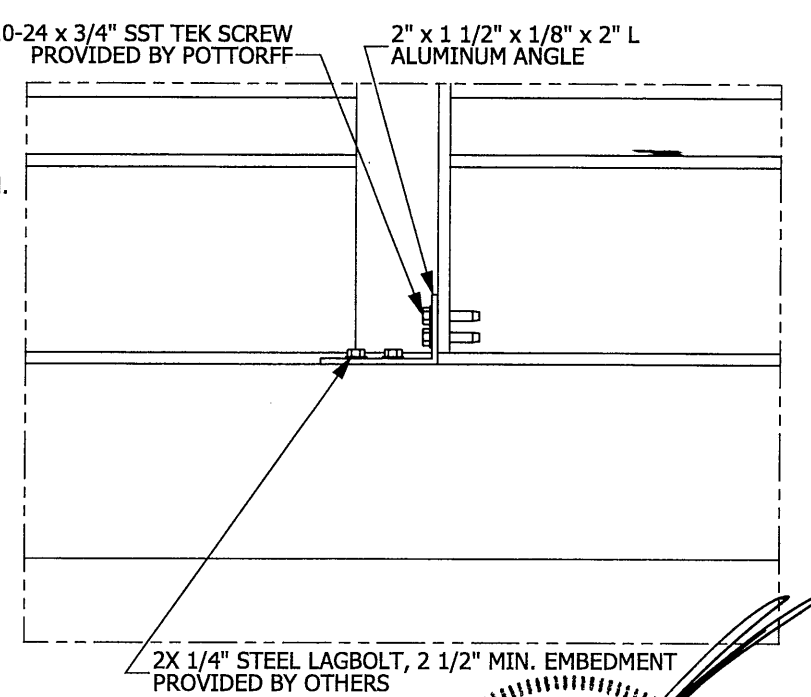
**JAMB ATTACHMENT DETAIL
WOOD BLOCK CONDITION**



**STIFFENER ATTACHMENT DETAIL
WOOD BLOCK CONDITION**



**MULLION ATTACHMENT DETAIL
WOOD BLOCK CONDITION**



- INSTALLATION NOTES:**
- 1) DRAWING INCLUDES INSTALLATION DETAILS TO ATTAIN MAXIMUM DESIGN PRESSURES FOR LOUVER PER CHARTS ON DRAWING 6
 - 2) IT IS ASSUMED THAT THE LOUVER SYSTEMS DO NOT SUPPORT ANY LOADS TRANSFERRED FROM THE BUILDING.
 - 3) IT IS ASSUMED THAT THE BUILDING CONDITIONS ARE ADEQUATELY DESIGNED TO SUPPORT LOADS IMPARTED BY THE LOUVER SYSTEM.
 - 4) INSTALLER TO PROVIDE GASKET MATERIAL BETWEEN DISSIMILAR MATERIALS IN ORDER TO PROTECT FROM CORROSION.
 - 5) CRITICAL EQUIPMENT TO BE PROTECTED FROM MOISTURE INGRESS.
 - 6) OTHER BUILDING CONDITIONS THAN THOSE DENOTED CAN BE UTILIZED IF ANALYZED AND APPROVED BY A PROFESSIONAL ENGINEER.
 - 7) MULTI-SECTION WIDE AND HIGH LOUVER SYSTEMS ARE ALLOWABLE PROVIDED THE INDIVIDUAL SECTIONS ARE SUPPORTED PER THE DETAIL ON THIS DRAWING AND A SUITABLE STRUCTURE IS ANALYZED AND APPROVED BY A PROFESSIONAL ENGINEER.
 - 8) ALL WOOD SUBSTRATE SHALL BE G=0.42 DENSITY OR BETTER.

RICE
ENGINEERING

105 School Creek Trail
Luxemburg, WI 54217
Phone: 920.845.1042
Fax: 920.845.1040
www.rice-inc.com

Florida Firm No. F-01000005061
Certificate of Authorization: #9090
L. David Rice
Registration No. 50923

UNLESS OTHERWISE SPECIFIED DIMENSION ARE IN INCHES.	5101 Blue Mound Road Fort Worth, Texas 76106 Phone: 817-509-2300 Fax: 817-831-3110
TOLERANCE UNLESS NOTED: X.X ±0.030 X.XX ±0.015 X.XXX ±0.010 ANGLE ±1° FRACTION ±1/16	THIRD ANGLE PROJECTION
MAX HOLE BREAKOUT: 15% OF MATERIAL THICKNESS	

ALL-LITE
ARCHITECTURAL PRODUCTS

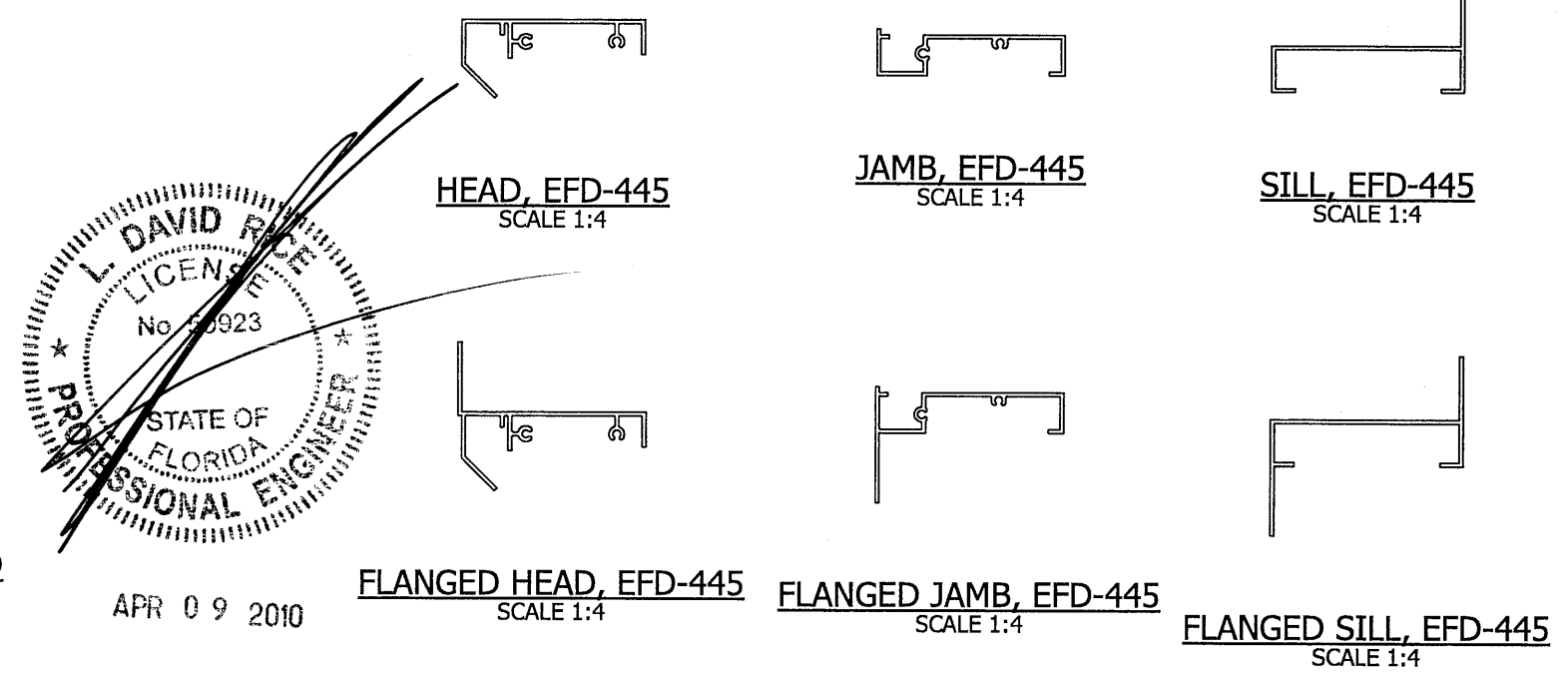
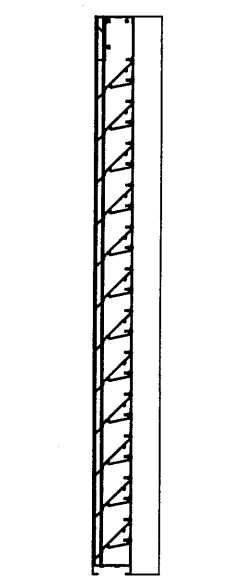
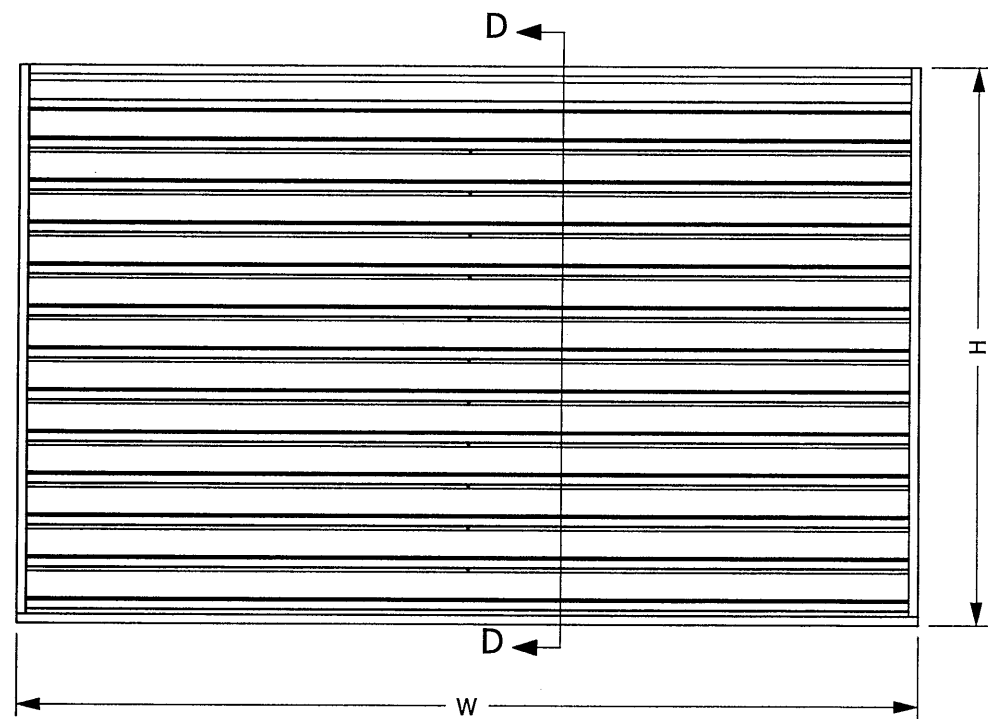
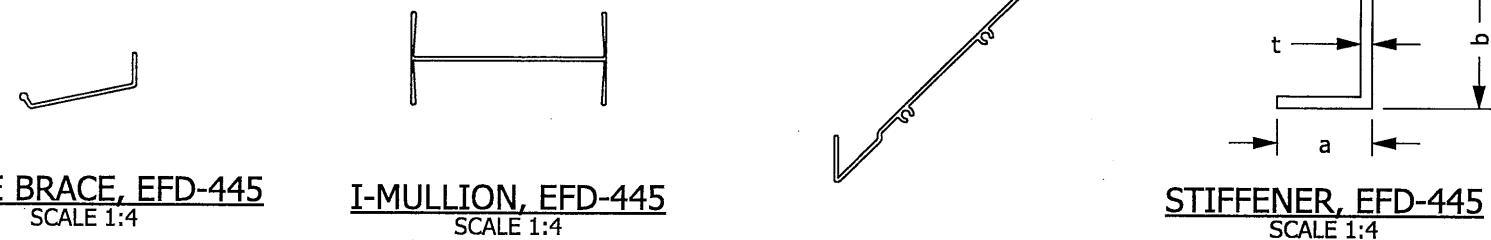
THIS DRAWING AND THE DESIGN REPRESENTED ARE THE CONFIDENTIAL AND PROPRIETARY PROPERTY OF PCI INDUSTRIES AND MAY NOT BE DISCLOSED, LOANED, COPIED, OR USED FOR ANY PURPOSE OTHER THAN DESIGN REVIEW AND APPROVAL WITHOUT THE EXPRESS WRITTEN CONSENT OF PCI INDUSTRIES.

DRAWING DESCR: WOOD ATTACHMENT DETAILS				
PROJECT: FLORIDA BUILDING CODE LOUVERS				
LOCATION:				
CUSTOMER:				
PROJ. MGR:		DRAWN BY: TB		
DATE: 11/24/2009	CHK'D BY:	ORDER NUMBER	P.O. NUMBER	DRAWING NUMBER
SHEET: 5 of 6	SCALE: NTS			WOOD CONDITION

Louver Tributary Height (In.)	EFD-445 LOUVER MODEL - Single Section Width Assemblies - Maximum Allowable Design Pressure - (PSF)																						
	Louver Width (In.)																						
	12"	18"	24"	30"	36"	42"	48"	54"	60"	66"	72"	78"	84"	90"	96"	102"	108"	114"	120"				
12"	187	125	93	75	62	53	36	26	19	68	62	57	53	50	47	44	42	39	37				
18"	187	125	93	75	62	53	36	26	19	68	62	57	53	50	47	44	42	39	37				
24"	187	125	93	75	62	53	36	26	19	68	62	57	53	50	47	44	42	39	37				
30"	187	125	93	75	62	53	36	26	19	61	56	52	48	45	42	40	37	35	34				
36"	187	125	93	75	62	53	36	26	19	42	39	36	33	50	47	44	42	39	37				
42"	187	125	93	75	62	53	36	26	19	54	50	46	43	40	37	35	33	32	37				
48"	187	125	93	75	62	53	36	26	19	42	38	35	33	31	47	44	42	39	37				
54"	187	125	93	75	62	53	36	26	19	33	57	53	49	46	43	40	38	36	37				
60"	187	125	93	75	62	53	36	26	19	50	46	43	40	37	35	33	42	39	37				
66"	187	125	93	75	62	53	36	26	19	SIZES IN SHADED CELL GET ANGLE STIFFENER													
72"	187	125	93	75	62	53	36	26	19														
78"	187	125	93	75	62	53	36	26	19														
84"	187	125	93	75	62	53	36	26	19														
90"	187	125	93	75	62	53	36	26	19														
96"	187	125	93	75	62	53	36	26	19														
102"	187	125	93	75	62	53	36	26	19														
108"	187	125	93	75	62	53	36	26	19														
114"	187	125	93	75	62	53	36	26	19														
120"	187	125	93	75	62	53	36	26	19														

Louver Tributary Height (In.)	EFD-445 LOUVER MODEL - Multiple Section Width Assemblies - Maximum Allowable Design Pressure - (PSF)																						
	Louver Width (In.)																						
	12"	18"	24"	30"	36"	42"	48"	54"	60"	66"	72"	78"	84"	90"	96"	102"	108"	114"	120"				
12"	187	125	93	75	62	53	36	26	19	68	62	57	53	50	47	44	42	39	37				
18"	187	125	93	75	62	53	36	26	19	68	62	57	53	50	47	44	42	39	37				
24"	187	125	93	75	62	53	36	26	19	68	62	57	53	50	47	44	42	39	37				
30"	187	125	93	75	62	53	36	26	19	61	56	52	48	45	42	40	37	35	34				
36"	187	125	93	75	62	53	36	26	19	42	39	36	33	50	47	44	42	39	37				
42"	187	125	93	75	62	53	36	26	19	54	50	46	43	40	37	35	33	32	37				
48"	187	125	93	75	62	53	36	26	19	42	38	35	33	31	47	44	42	39	37				
54"	187	125	93	75	62	53	36	26	19	33	57	53	49	46	43	40	38	36	34				
60"	187	125	93	75	62	53	36	26	19	50	46	43	40	37	35	33	34	33	31				
66"	187	125	93	75	62	53	36	26	19	SIZES IN SHADED CELL GET ANGLE STIFFENER													
72"	187	125	93	75	62	53	36	26	19														
78"	187	125	93	75	62	53	36	26	19														
84"	187	125	93	75	62	53	36	26	19														
90"	187	125	93	75	62	53	36	26	19														
96"	183	122	91	73	61	52	36	26	19														
102"	162	108	81	65	54	46	36	26	19														
108"	144	96	72	58	48	41	36	26	19														
114"	130	86	65	52	43	37	32	26	19														
120"	117	78	58	47	39	33	29	26	19														

Louver Height (In.)	Stiffener Angle Dimensions (b x a x t)											
	Width (in)											
	66"	72"	78"	84"	90"	96"	102"	108"	114"	120"		
12"	2"x1.5"x1/8"											
18"	2"x1.5"x1/8"											
24"	2"x1.5"x1/8"											
30"	2"x1.5"x1/8"											
36"	2"x1.5"x1/8"											
42"	2"x2"x1/8"											
48"	2"x2"x1/8"											
54"	2"x2"x1/4"											
60"	3"x2"x1/4"											

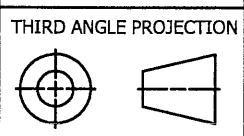


L. DAVID RICE
LICENSED PROFESSIONAL ENGINEER
No. 50923
STATE OF FLORIDA
APR 09 2010

RICE ENGINEERING
105 School Creek Trail
Luxemburg, WI 54217
Phone: 920-845-1042
Fax: 920-845-1045
www.rice-inc.com

Florida Firm No: F-01000005061
Certificate of Authorization: #9090
L. David Rice
Registration No: 50923

UNLESS OTHERWISE SPECIFIED
DIMENSION ARE IN INCHES.
TOLERANCE UNLESS NOTED:
X.X ±0.030
X.XX ±0.015
X.XXX ±0.010
ANGLE ±1°
FRACTION ±1/16
MAX HOLE BREAKOUT:
15% OF MATERIAL THICKNESS



ALL-LITE ARCHITECTURAL PRODUCTS
THIS DRAWING AND THE DESIGN REPRESENTED ARE THE CONFIDENTIAL AND PROPRIETARY PROPERTY OF PCI INDUSTRIES AND MAY NOT BE DISCLOSED, LOANED, COPIED, OR USED FOR ANY PURPOSE OTHER THAN DESIGN REVIEW AND APPROVAL WITHOUT THE EXPRESS WRITTEN CONSENT OF PCI INDUSTRIES.

DRAWING DESCR: EFD-445, ELEVATION & DETAILS				
PROJECT: FLORIDA BUILDING CODE LOUVERS				
LOCATION:				
CUSTOMER:				
PROJ. MGR:		DRAWN BY: TB		
DATE: 11/24/2009	CHK'D BY:	ORDER NUMBER	P.O. NUMBER	DRAWING NUMBER
SHEET: 6 of 6	SCALE: 1:20			EFD-445

I:\Tom\LOUVERS\Florida Building Code Louvers\