

Application

The EXD-437-CM combination louver features stationary drainable louver blades to protect against water penetration and an integral control damper to allow positive shutoff protection of air intake and exhaust openings. The EXD-437-CM closely reflects the available options and performance of the EXD-437, with the added benefit of a spring return actuator concealed within the louver sill. The EXD-437-CM is available in a wide array of anodized and painted finishes including custom color matching.

Standard Construction

- Material:** Mill finish 6063-T5 extruded aluminum.
- Frame:** 4" deep x 0.081" thick (102 x 2) channel.
- Blades:** 37½" x 0.081" (2) thick combination style.
- Screen:** ½" x 0.063" (12.7 x 1.6) expanded and flattened aluminum.
- Axles:** ½" (13) diameter plated steel hex.
- Linkage:** Concealed in frame.
- Actuator:** 2-Position spring return, AC universal power (24V, 120V, 240V).
- Bearings:** Synthetic.
- Mullion:** Visible.
- Minimum Size:** 12" x 12" (304 x 304)
- Maximum Size:** Single section:
48" x 96" (1219 x 2436)
Multiple section: Unlimited

Options

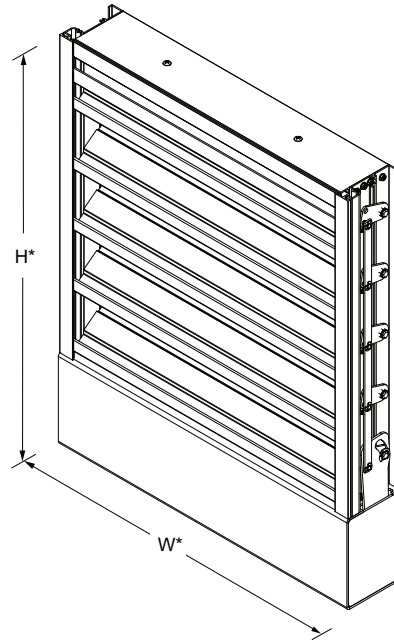
- Factory finish:
 - High Performance Fluoropolymer - 100% resin Newlar®/70% resin Kynar®
 - Baked Enamel
 - Clear or Color Anodized, Class 1
 - Prime Coat
- Flange Frame:
 - 1½" (38) flange
 - Custom-size flange
 - Stucco flange
 - Glazing frame
- Actuator access:
 - Interior (default) Exterior
- Auxiliary position indication switches.
- Alternate bird or insect screens.
- Filter racks.
- Head and/or sill flashing.
- Low leakage seals: PVC blade edge and flexible metal jamb.
- Power closed, spring open (spring closed is default).
- Insulated blank-off panels (does not cover sill).
- Non-insulated blank-off panels (does not cover sill).
- Installation hardware:
 - Clip angles Continuous angles

Ratings

Design Load: 30 psf

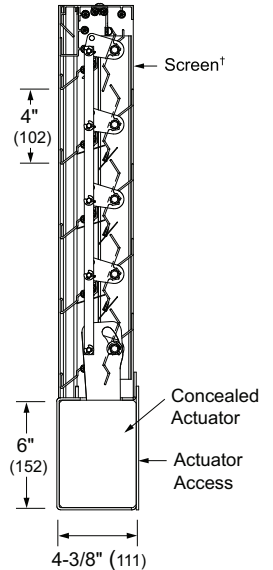
Operation

Operating Temperature Range: -20°F to +180°F (-7°C to +82°C)

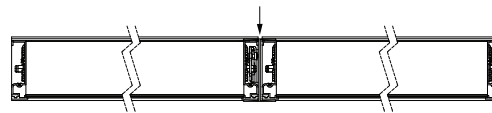


Model **EXD-437-CM**
(standard)

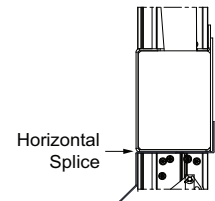
*Louver dimensions furnished approximately 1/2" (13) undersize.



Vertical Section
†Screen adds approximately 3/16" (5) to louver depth.

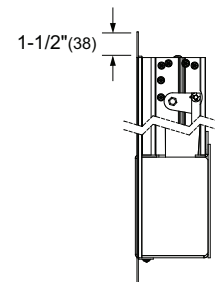


Vertical Mullion
(standard)



Horizontal Splice

Horizontal Mullion
(standard)



Flange Frame
(optional)