

Application

The EXA-645-CM combination louver features stationary drainable louver blades to protect against water penetration and an integral airfoil blade control damper to allow positive shutoff protection of air intake and exhaust openings. The EXA-645-CM closely reflects the available options and performance of the EXA-645, with the added benefit of a spring return actuator concealed within the louver sill.

Standard Construction

Material: Mill finish 6063-T5 extruded aluminum.

Frame: 6" deep x 0.081" thick (152 x 2) channel.

Blades:

Front: 37.5° x 0.081" (2) thick drainable style.

Back: 45° x 0.125" (3) thick operable airfoil style.

Screen: 1/2" x 0.063" (12.7 x 1.6) expanded and flattened aluminum.

Axles: 1/2" (13) diameter steel hex.

Linkage: Concealed in frame.

Actuator: 2-Position spring return, AC universal power (24V, 120V, 240V).

Bearings: Synthetic.

Minimum Size: 12" x 14" (304 x 355)

Maximum Size: Single section:
 48" x 96" (1219 x 2438)
 Multiple section: Unlimited

Options

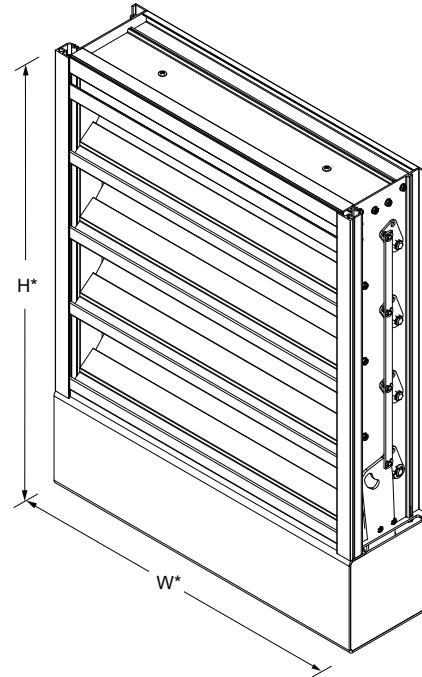
- Factory finish:
 - High Performance Fluoropolymer - 100% resin Newlar®/70% resin Kynar®
 - Baked Enamel
 - Clear or Color Anodized, Class 1
 - Prime Coat
- Flange Frame:
 - 1 1/2" (38) flange
 - Custom-size flange
 - Stucco flange
 - Glazing frame
- Actuator access:
 - Interior (default) Exterior
- Auxiliary position indication switches.
- Alternate bird or insect screens.
- Filter racks.
- Head and/or sill flashing.
- Low leakage seals: PVC blade edge and flexible metal jamb.
- Power closed, spring open (spring closed is default).
- Insulated blank-off panels (does not cover sill).
- Non-insulated blank-off panels (does not cover sill).
- Installation hardware:
 - Clip angles Continuous angles

Ratings

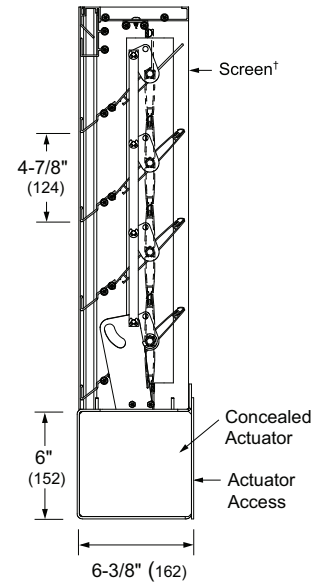
Design Load: 25 psf

Operation

Operating Temperature Range: -20°F to +180°F (-7°C to +82°C)

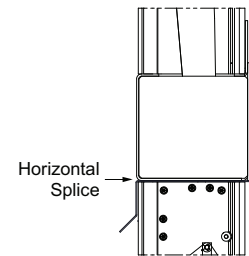


Model **EXA-645-CM**
 (standard)
 *Louvers dimensions furnished approximately 1/2" (13) undersize.

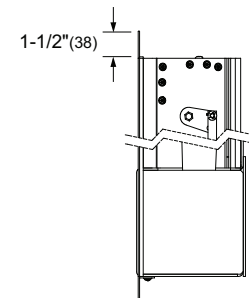


Vertical Section

†Screen adds approximately 3/16" (5) to louver depth.



Horizontal Mullion
 (standard)



Flange Frame
 (optional)