

Application

The EOJ-445-CM louver features operable blades that allow positive shutoff protection of air intake and exhaust openings. The EOJ-445-CM closely reflects the available options and performance of the EOJ-445, with the added benefit of a spring return actuator concealed within the louver sill. The EOJ-445-CM is available in a wide array of anodized and painted finishes including custom color matching.

Standard Construction

- Material:** Mill finish 6063-T5 extruded aluminum.
- Frame:** 4" deep × 0.081" thick (102 × 2) channel.
- Blades:** 45° × 0.081" (2) thick operable J-style.
- Screen:** 1/2" × 0.063" (12.7 × 1.6) expanded and flattened aluminum.
- Axles:** 1/2" (13) diameter plated steel hex.
- Linkage:** Concealed in frame.
- Actuator:** 2-Position spring return, AC universal power (24V, 120V, 240V).
- Bearings:** Synthetic.
- Mullion:** Visible.
- Minimum Size:** 12" × 15" (304 × 381)
- Maximum Size:** Single section:
48" × 96" (1219 × 2436)
Multiple section: Unlimited

Options

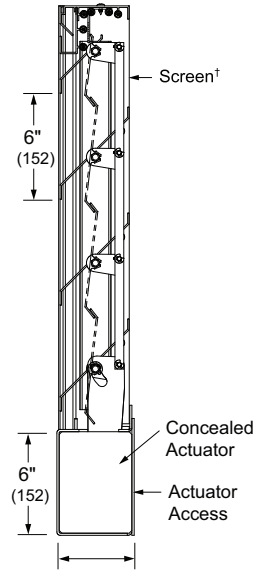
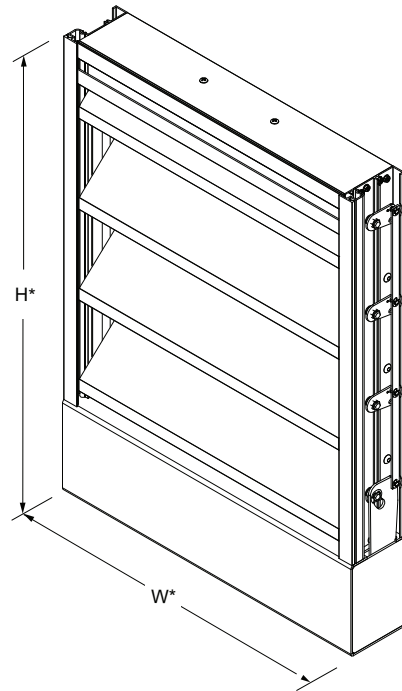
- Factory finish:
 - High Performance Fluoropolymer - 100% resin Newlar®/70% resin Kynar®
 - Baked Enamel
 - Clear or Color Anodized, Class 1
 - Prime Coat
- Flange Frame:
 - 1 1/2" (38) flange
 - Custom-size flange
 - Stucco flange
 - Glazing frame
- Actuator access:
 - Interior (default) Exterior
- Auxiliary position indication switches.
- Alternate bird or insect screens.
- Filter racks.
- Head and/or sill flashing.
- Low leakage seals: PVC blade edge and flexible metal jamb.
- Power closed, spring open (spring closed is default).
- Insulated blank-off panels (does not cover sill).
- Non-insulated blank-off panels (does not cover sill).
- Installation hardware:
 - Clip angles Continuous angles

Ratings

Design Load: 30 psf

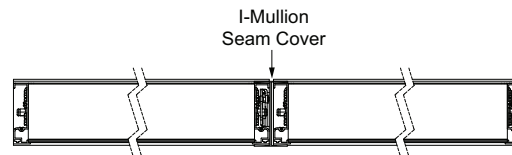
Operation

Operating Temperature Range: -20°F to +180°F (-7°C to +82°C)

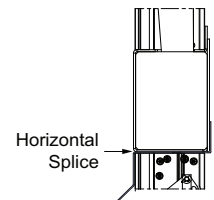


Model **EOJ-445-CM**
 (standard)
 *Louver dimensions furnished approximately 1/2" (13) undersize.

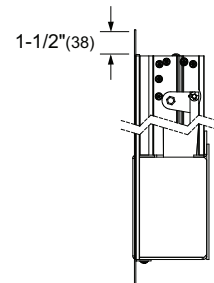
Vertical Section
 †Screen adds approximately 3/16" (5) to louver depth.



Vertical Mullion
 (standard)



Horizontal Mullion
 (standard)



Flange Frame
 (optional)