

## Application

The EOD-637-CM louver features operable blades that allow positive shutoff protection of air intake and exhaust openings. The EOD-637-CM closely reflects the available options and performance of the EOD-637 with the added benefit of a spring return actuator concealed within the louver sill. The EOD-637-CM is available in a wide array of anodized and painted finishes including custom color matching.

## Standard Construction

- Material:** Mill finish 6063-T5 extruded aluminum.
- Frame:** 6" deep x 0.081" thick (152 x 2) channel.
- Blades:** 37½° x 0.081" (2) thick operable — operable drainable style.
- Screen:** ½" x 0.063" (12.7 x 1.6) expanded and flattened aluminum.
- Axles:** ½" (13) diameter plated steel hex.
- Linkage:** Concealed in frame.
- Actuator:** 2-Position spring return, AC universal power (24V, 120V, 240V).
- Bearings:** Synthetic.
- Minimum Size:** 12" x 15" (304 x 381)
- Maximum Size:** Single section:  
48" x 96" (1219 x 2436)  
Multiple section: Unlimited

## Options

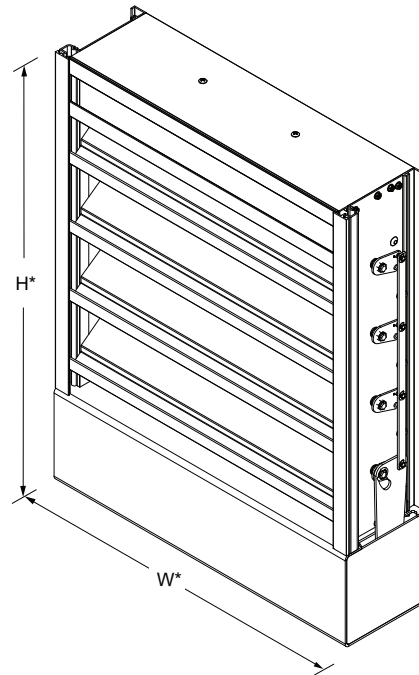
- Factory finish:
  - High Performance Fluoropolymer - 100% resin Newlar®/70% resin Kynar®
  - Baked Enamel
  - Clear or Color Anodized, Class 1
  - Prime Coat
- Flange Frame:
  - 1½" (38) flange
  - Custom-size flange
  - Stucco flange
  - Glazing frame
- Actuator access:
  - Interior (default)  Exterior
- Auxiliary position indication switches.
- Alternate bird or insect screens.
- Filter racks.
- Head and/or sill flashing.
- Low leakage seals: PVC blade edge and flexible metal jamb.
- Power closed, spring open (spring closed is default).
- Insulated blank-off panels (does not cover sill).
- Non-insulated blank-off panels (does not cover sill).
- Installation hardware:
  - Clip angles  Continuous angles

## Ratings

**Design Load:** 30 psf

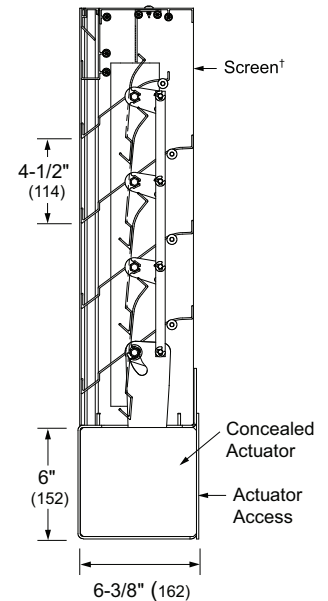
## Operation

**Operating Temperature Range:** -20°F to +180°F (-7°C to +82°C)



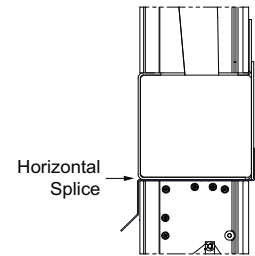
Model **EOD-637-CM**  
(standard)

\*Louvers dimensions furnished approximately 1/2" (13) undersize.

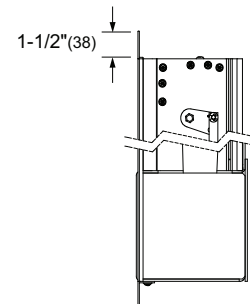


**Vertical Section**

†Screen adds approximately 3/16" (5) to louver depth.



**Horizontal Mullion**  
(standard)



**Flange Frame**  
(optional)