

EFD-245

(standard)

*Louver dimensions furnished approximately 1/2" (13) undersize.

The EFD-245 drainable blade louver is designed to prevent water penetration in non-wind-driven rain applications by collecting water in frame and blade gutters and channeling it into downspouts and away from airflow paths. The EFD-245 is available in a wide array of anodized and painted finishes including custom color matching.

Standard Construction

Material: Mill finish 6063-T5 extruded aluminum

Frame: 2" deep × 0.060" thick (51 × 1.5) channel

Blades: 45° × 0.060" (1.5) thick drainable style

Screen: 1/2" × 0.063" (12.7 × 1.6) expanded and flattened aluminum

Mullion: Visible

Minimum Size: 4.5" × 5" (114 × 127)

Maximum Size:

Single section: 60" × 120" (1524 × 3048)

120" × 60" (3048 × 1524)

Multiple section: Unlimited

Ratings

Free Area: [48" × 48" (1219 × 1219) unit]: 7.3 ft² (0.68 m²)
45.8%

Performance @ Beginning Point of Water Penetration

Free Area Velocity: 973 fpm (4.94 m/s)

Air Volume Delivered: 7,123 cfm (3.36 m³/s)

Pressure Loss: 0.14 in.wg. (35 Pa)

Velocity @ 0.15 in.wg. Pressure Loss: 1,000 fpm (5.08 m/s)

Options

■ Factory finish:

- High Performance Fluoropolymer
- Baked Enamel
- Prime Coat
- Clear Anodize
- Integral Color Anodize

■ Frame Options:

- 1-1/2" (38) flange frame
- Stucco flange
- Glazing frame

■ Installation Hardware

- Clip angles
- Continuous angles

■ Hidden Vertical Mullion

■ Alternate bird or insect screens

■ Insulated or non-insulated blank-off panels

■ Filter racks

■ Hinged frame

■ Subframe

■ Head and/or sill flashing

■ Burglar bars

■ Frame closure

■ Net OD (actual size)

5 year
warranty

NOTE: Contact factory for design-loading information.

NOTE: Dimensions in parentheses () are millimeters.
Information is subject to change without notice or obligation.

PERFORMANCE

EFD-245

Extruded Aluminum Louver
2" deep • 45° Drainable Blade

Free Area (ft²)

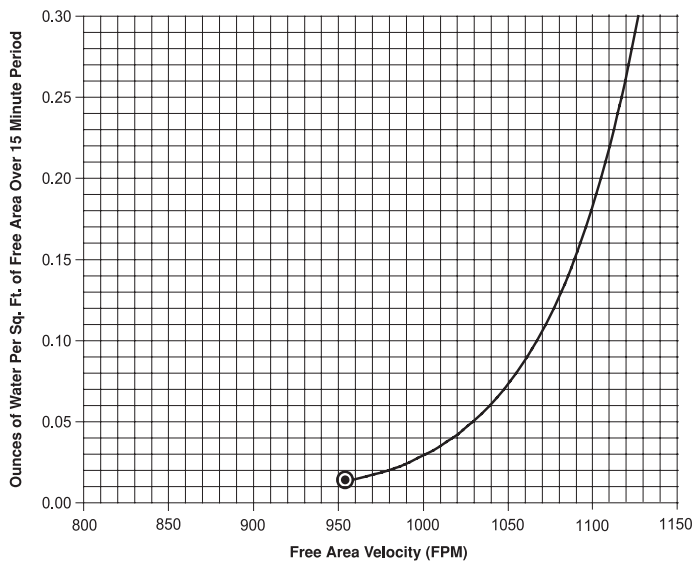
Width (Inches)

Height (Inches)	Width (Inches)																			
	12	18	24	30	36	42	48	54	60	66	72	78	84	90	96	102	108	114	120	
12	0.3	0.5	0.7	0.9	1.1	1.3	1.5	1.7	1.9	2.1	2.3	2.6	2.7	2.9	3.1	3.3	3.5	3.7	3.9	
18	0.5	0.8	1.1	1.4	1.7	2.0	2.3	2.6	2.9	3.2	3.5	3.8	4.1	4.4	4.7	5.0	5.3	5.6	5.9	
24	0.8	1.2	1.6	2.1	2.5	3.0	3.4	3.8	4.3	4.7	5.2	5.6	6.0	6.5	6.9	7.4	7.8	8.2	8.7	
30	1.0	1.6	2.1	2.7	3.3	3.8	4.4	5.0	5.6	6.1	6.7	7.3	7.8	8.4	9.0	9.6	10.1	10.7	11.3	
36	1.2	1.9	2.5	3.2	3.9	4.5	5.2	5.9	6.6	7.2	7.9	8.6	9.3	9.9	10.6	11.3	12.0	12.6	13.3	
42	1.4	2.2	3.1	3.9	4.7	5.5	6.3	7.1	7.9	8.8	9.6	10.4	11.2	12.0	12.8	13.6	14.4	15.3	16.1	
48	1.7	2.6	3.5	4.5	5.4	6.4	7.3	8.3	9.2	10.2	11.1	12.0	13.0	13.9	14.9	15.8	16.8	17.7	18.7	
54	1.8	2.9	3.9	5.0	6.0	7.1	8.1	9.2	10.2	11.3	12.3	13.4	14.4	15.5	16.5	17.6	18.6	19.6	20.7	
60	2.1	3.3	4.5	5.6	6.8	8.0	9.2	10.4	11.6	12.8	14.0	15.2	16.3	17.5	18.7	19.9	21.1	22.3	23.5	
66	2.3	3.6	4.9	6.3	7.6	8.9	10.2	11.5	12.9	14.2	15.5	16.8	18.1	19.5	20.8	22.1	23.4	24.7	26.0	
72	2.5	3.9	5.3	6.8	8.2	9.6	11.0	12.4	13.9	15.3	16.7	18.1	19.6	21.0	22.4	23.8	25.2	26.7	28.1	
78	2.7	4.3	5.9	7.4	9.0	10.5	12.1	13.7	15.2	16.8	18.4	19.9	21.5	23.0	24.6	26.2	27.7	29.3	30.9	
84	3.0	4.7	6.3	8.0	9.7	11.4	13.1	14.8	16.5	18.2	19.9	21.6	23.3	25.0	26.7	28.4	30.1	31.7	33.4	
90	3.1	4.9	6.7	8.5	10.3	12.1	13.9	15.7	17.5	19.3	21.1	22.9	24.7	26.5	28.3	30.1	31.9	33.7	35.5	
96	3.4	5.3	7.3	9.2	11.1	13.1	15.0	16.9	18.9	20.8	22.8	24.7	26.6	28.6	30.5	32.4	34.4	36.3	38.3	
102	3.6	5.7	7.8	9.8	11.9	14.0	16.0	18.1	20.2	22.2	24.3	26.4	28.4	30.5	32.6	34.6	36.7	38.8	40.8	
108	3.8	6.0	8.1	10.3	12.5	14.7	16.8	19.0	21.2	23.3	25.5	27.7	29.8	32.0	34.2	36.4	38.5	40.7	42.9	
114	4.0	6.4	8.7	11.0	13.3	15.6	17.9	20.2	22.5	24.8	27.2	29.5	31.8	34.1	36.4	38.7	41.0	43.3	45.6	
120	4.3	6.7	9.2	11.6	14.0	16.5	18.9	21.4	23.8	26.2	28.7	31.1	33.6	36.0	38.5	40.9	43.3	45.8	48.2	

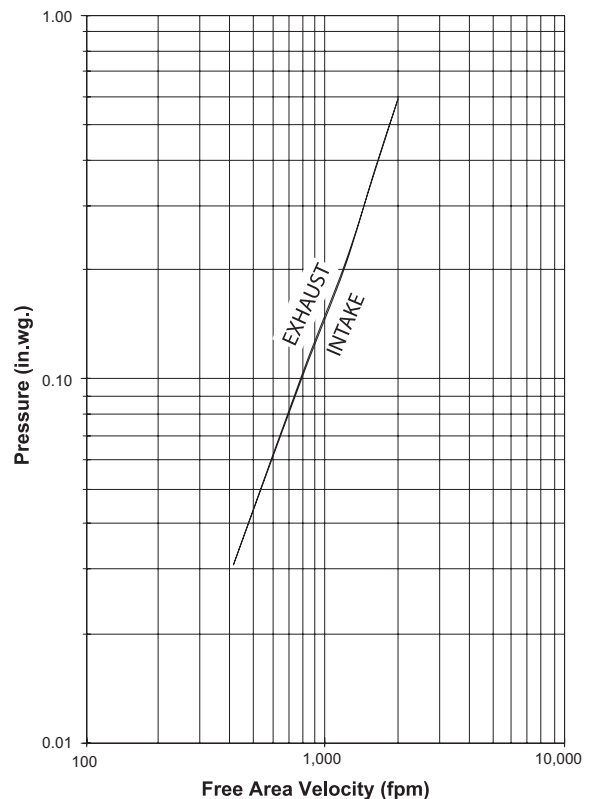
Water Penetration

AMCA defines the beginning point of water penetration as the free area velocity at the intersection of a simple linear regression of test data and the line of 0.01 ounces of water per square foot of free area and is measured through a 48" x 48" louver during a 15 minute period. The AMCA water penetration test provides a method for comparing louver models and designs as to their efficiency in resisting the penetration of rainfall under specific lab conditions. We recommend that intake louvers are selected with a reasonable margin of safety below the beginning point of water penetration in order to avoid unwanted penetration during severe storm conditions.

Beginning Point of Water Penetration = 973 fpm



Pressure Loss

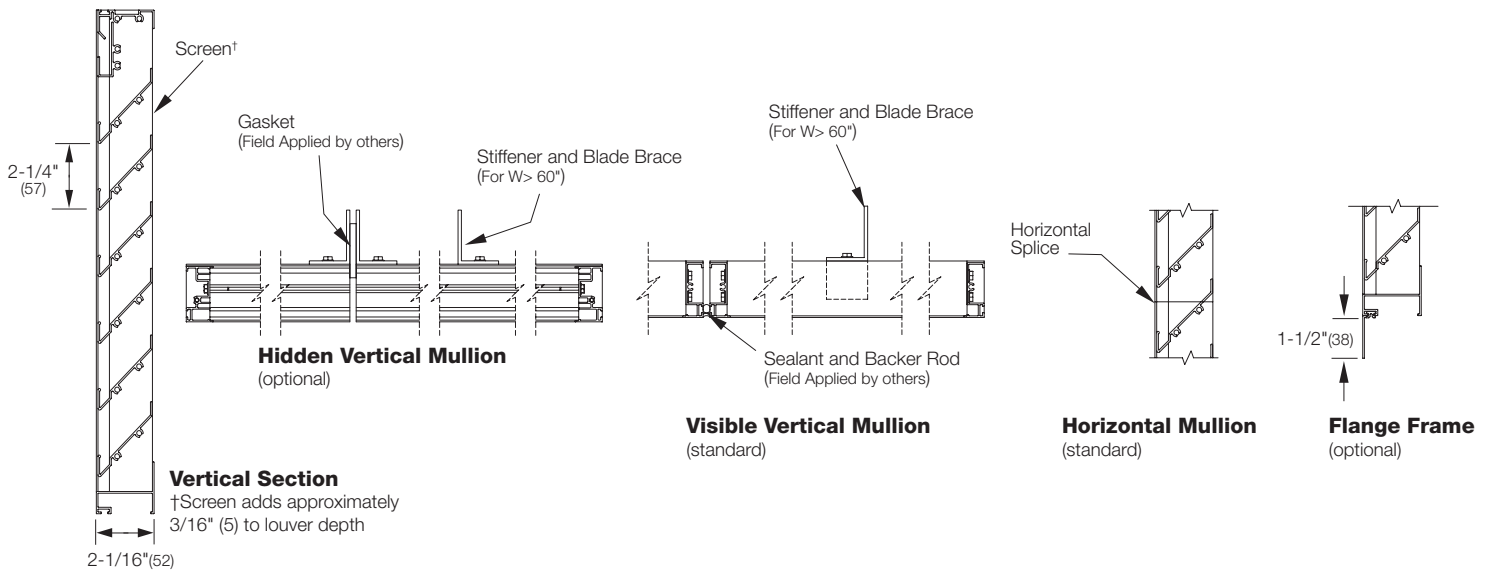


Louver Test Size = 48" x 48" (1219 x 1219)

EFD-245

Extruded Aluminum Louver
2" deep • 45° Drainable Blade

Attributes



Supplemental Options

