

# ALL-LITE

## ACP-802

Aluminum Canopy  
8" Infill Panel

The ACP-802 extruded aluminum canopy is designed to provide distinctive style to a building's exterior while keeping the building cool and saving energy by reducing glare and thermal load. The ACP-802 may also minimize rain and snow on surfaces directly underneath.

### Standard Construction

**Material:** Mill finish aluminum

**Frame Member:** 8" tall x 2" deep (203 x 51) channel

**Panel:** 0.063" (2) thick sheet

**Tieback Shroud:** 1.3" tall x 1.08" wide x 0.085" thick  
(33 x 27 x 2) pipe

**Mounting Rail:** Hidden

**Minimum Size:** 36" wide x 18" projection (914 x 457)

**Maximum Size:** Single section: 120" x 48" (3048 x 1219)  
Multiple section: Unlimited width x 48" (1219)

Maximum shroud spacing is 96" (2438). Overhang is 12" (305) past shroud on each end.

### Options

■ **Factory finish:**

- High Performance Fluoropolymer
- Baked Enamel
- Prime Coat

■ **Flush Solid Soffit**

■ **Rain Diverter**

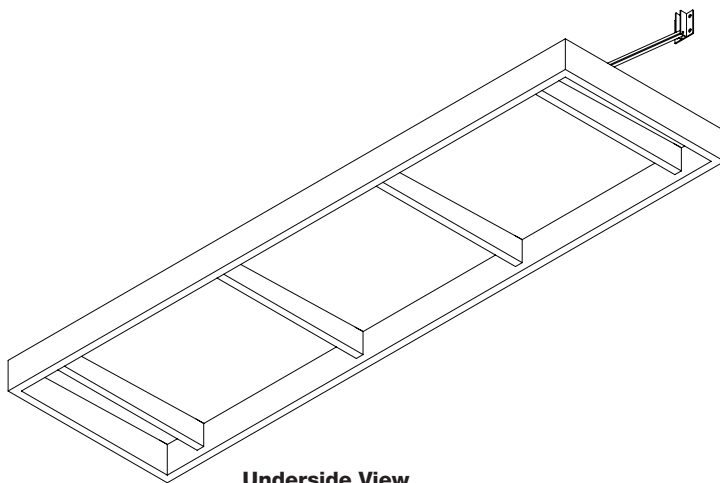
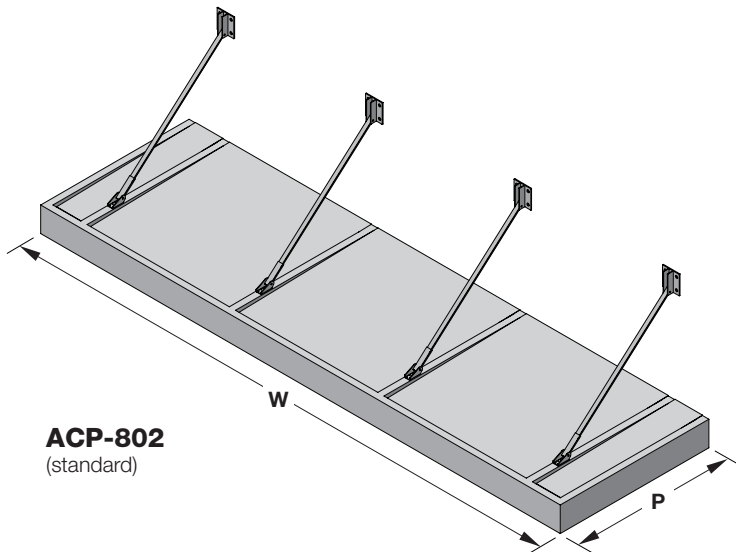
■ **Front Gutter**

■ **Installation Hardware**

- Anchors for various building conditions

### Ratings

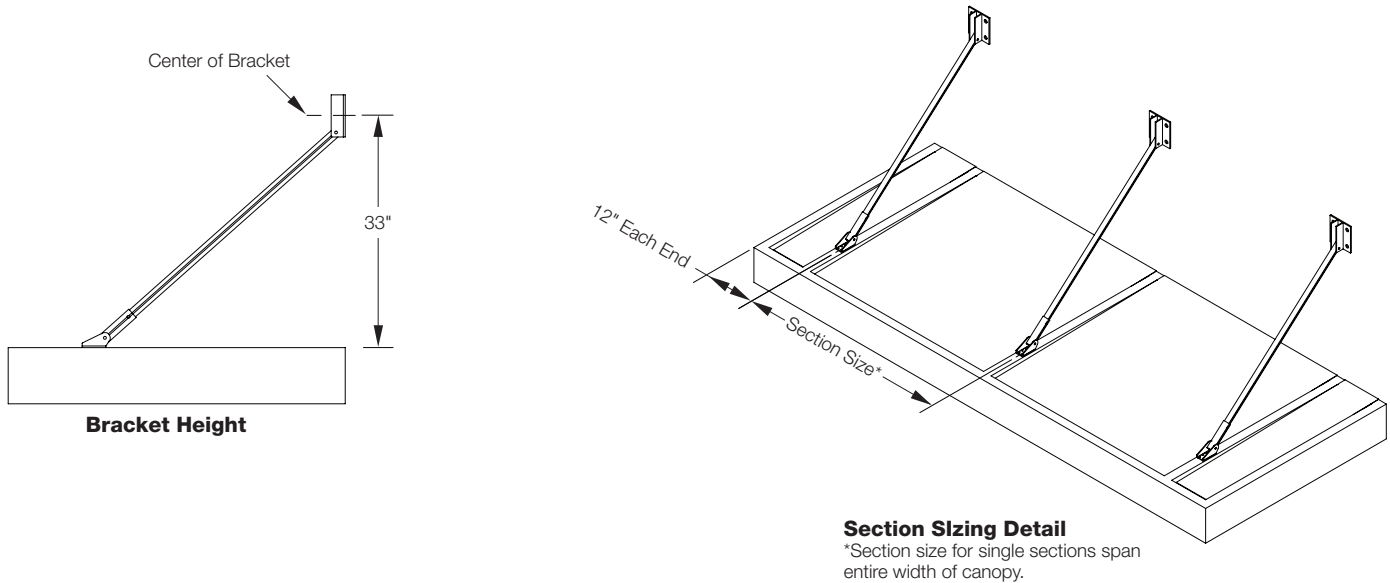
**Design Load:** 50 psf downward / 30 psf upward



5 year  
warranty

**NOTE:** Dimensions in parentheses ( ) are millimeters.  
Information is subject to change without notice or obligation.

## Attributes



## Supplemental Options

