

# ALL-LITE

## ACA-645

Aluminum Canopy  
6" Airfoil Blade

The ACA-645 extruded aluminum canopy is designed to provide distinctive style to a building's exterior while keeping the building cool and saving energy by reducing glare and thermal load.

### Standard Construction

**Material:** Mill finish aluminum

**Frame Member:** 8" tall x 2" deep (203 x 51) channel

**Blades:** 45° x 0.110" (2.8) thick airfoil style

**Tieback Shroud:** 1.3" tall x 1.08" wide x 0.085" thick  
(33 x 27 x 2) pipe

**Mounting Rail:** Hidden

**Minimum Size:** 36" wide x 18" projection (914 x 457)

**Maximum Size:** Single section: 120" x 48" (3048 x 1219)

Multiple section: Unlimited width x 48" (1219)

Maximum shroud spacing is 96" (2438). Overhang is 12" (305) past shroud on each end.

### Options

■ **Factory finish:**

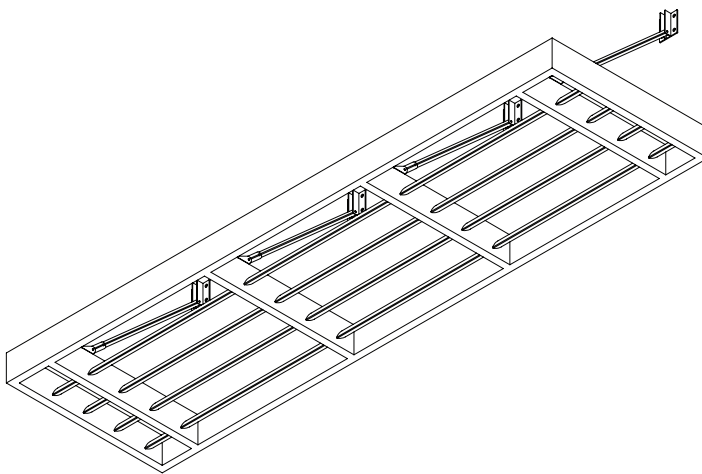
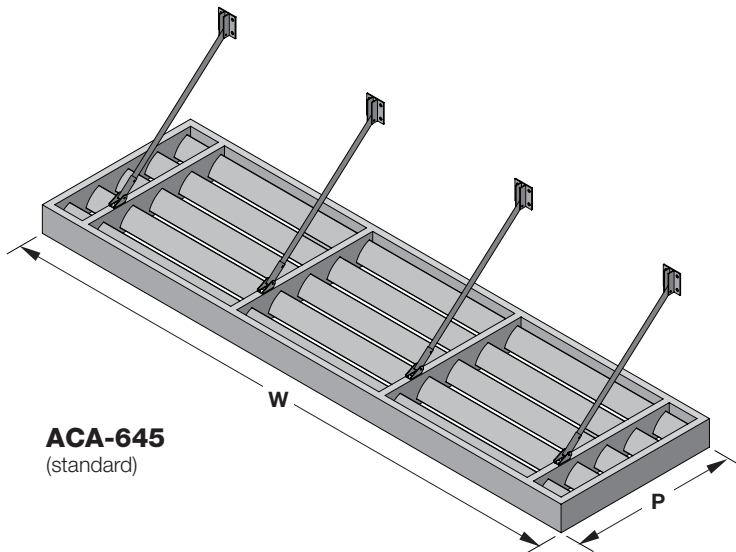
- High Performance Fluoropolymer
- Baked Enamel
- Prime Coat

■ **Installation Hardware**

- Anchors for various building conditions

### Ratings

**Design Load:** 50 psf downward / 30 psf upward

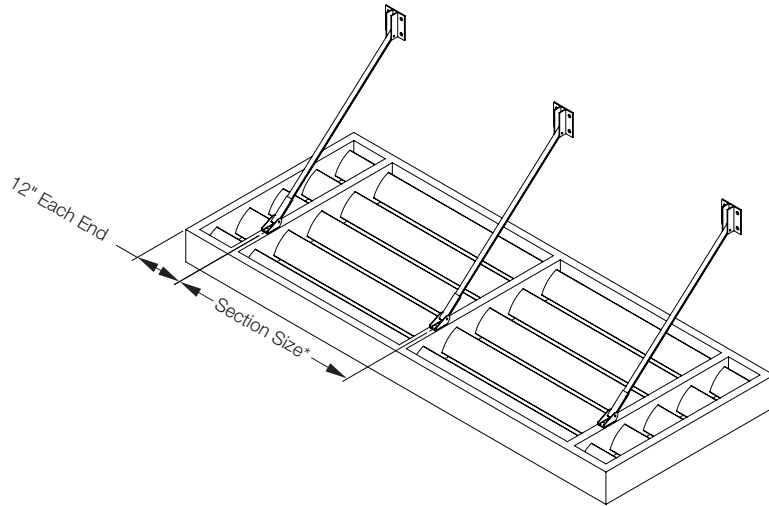
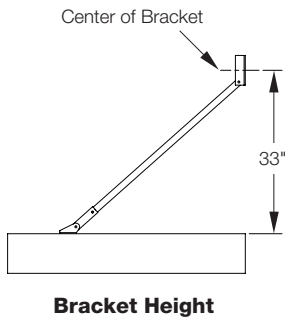


Underside View

**5** year  
warranty

**NOTE:** Dimensions in parentheses ( ) are millimeters.  
Information is subject to change without notice or obligation.

## Attributes



### Section Sizing Detail

\*Section size for single sections span entire width of canopy.