

Application

The ERD-645 recessed drainable blade louver combines the water penetration protection of standard drainable blades with a continuous drainable blade design by incorporating an ingenious recessed mullion and downspout. The ERD-645 is available in a wide array of anodized and painted finishes including custom color matching and is ideally suited for large width penetrations.

Standard Construction

- Material:** Mill finish 6063-T5 extruded aluminum.
- Frame:** 6" deep × 0.081" (152 × 2) thick channel.
- Blades:** 45° × 0.081" (2) thick recessed drainable style.
- Screen:** 1/2" × 0.063" (12.7 × 1.6) expanded and flattened aluminum.
- Mullion:** Visible.
- Screen Frame:** Removable.
- Minimum Size:** 4.5" × 9" (114 × 229)
- Maximum Size:** Single section: 60" × 120" (1524 × 3048)
 120" × 60" (3048 × 1524)
 Multiple section: Unlimited

Options

- Factory finish:
 - High Performance Fluoropolymer - 100% resin Newlar®/70% resin Kynar®
 - Baked Enamel
 - Clear or Color Anodized, Class 1
 - Prime Coat
- Hidden vertical mullion for continuous blade appearance.
- 1 1/2" (38) flange frame.
- Welded construction.
- Alternate bird or insect screens.
- Alternate removable one-piece U-channel screen frame.
- Insulated or non-insulated blank-off panels.
- Filter racks.
- Hinged frame.
- Head and/or sill flashing.

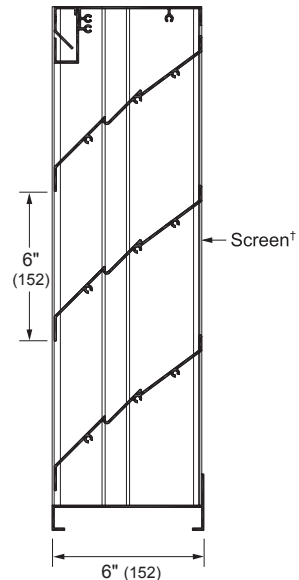
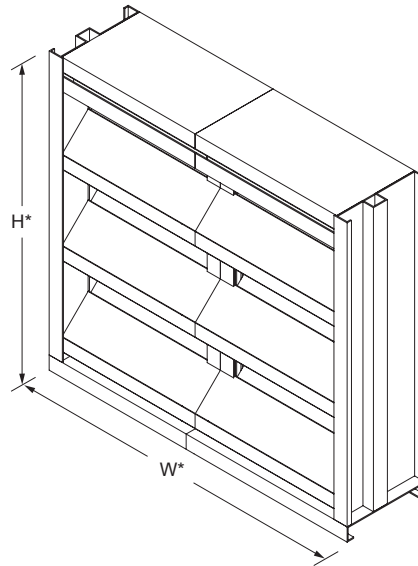
Ratings

Free Area: [48" × 48" (1219 × 1219) unit]: 8.1 ft² (0.75 m²)
 50.6%

Performance @ Beginning Point of Water Penetration

Free Area Velocity: 990 fpm (5.03 m/s)
Air Volume Delivered: 8,059 cfm (3.80 m³/s)
Pressure Loss: 0.11 in.wg. (27 Pa)

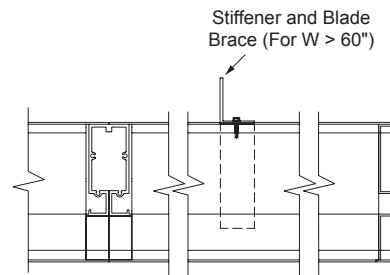
Design Load: 30 psf



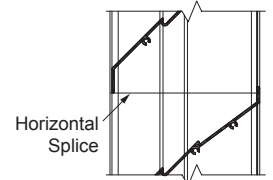
Model ERD-645
 (standard)

*Louver dimensions furnished approximately 1/2" (13) undersize.

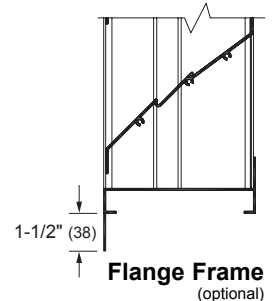
Vertical Section
 †Screen adds approximately 3/16" (5) to louver depth.



Hidden Vertical Mullion
 (standard)



Horizontal Mullion
 (standard)



Flange Frame
 (optional)